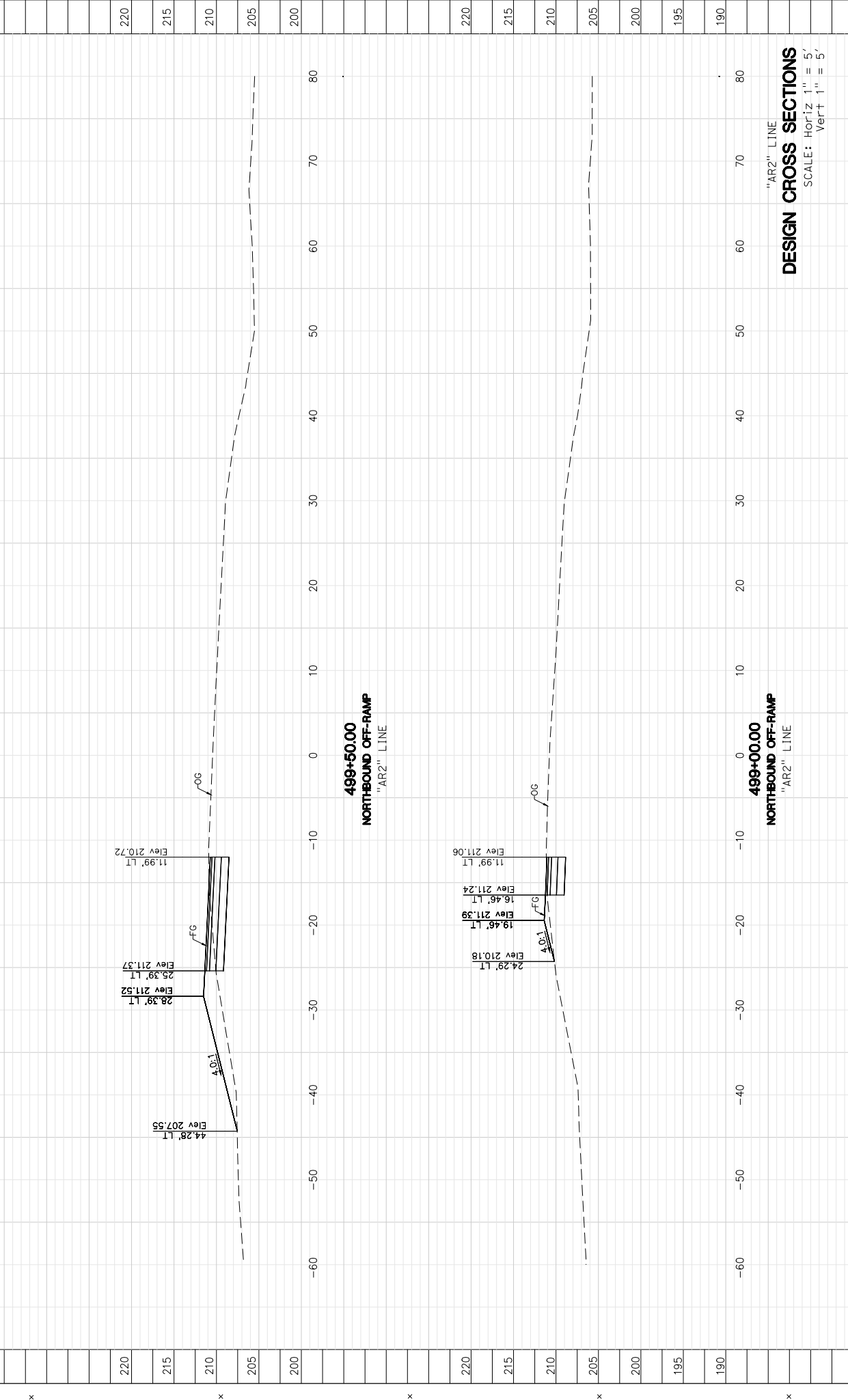
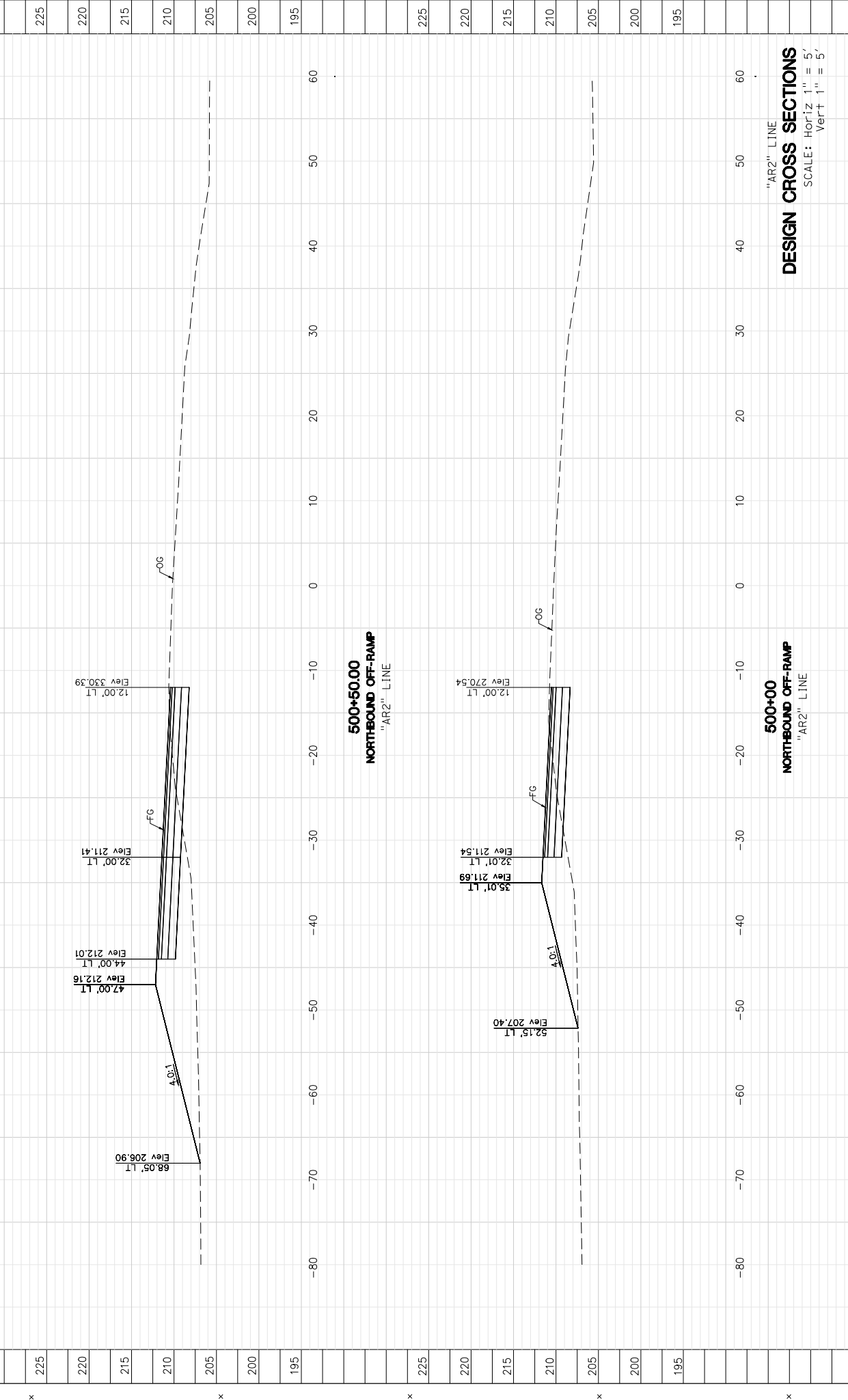


Dist	County	Route	Post Miles	SHEET TOTAL
04	SCL	101	R28.4/R28.9	PROJECT SHEETS
				No. 1 54



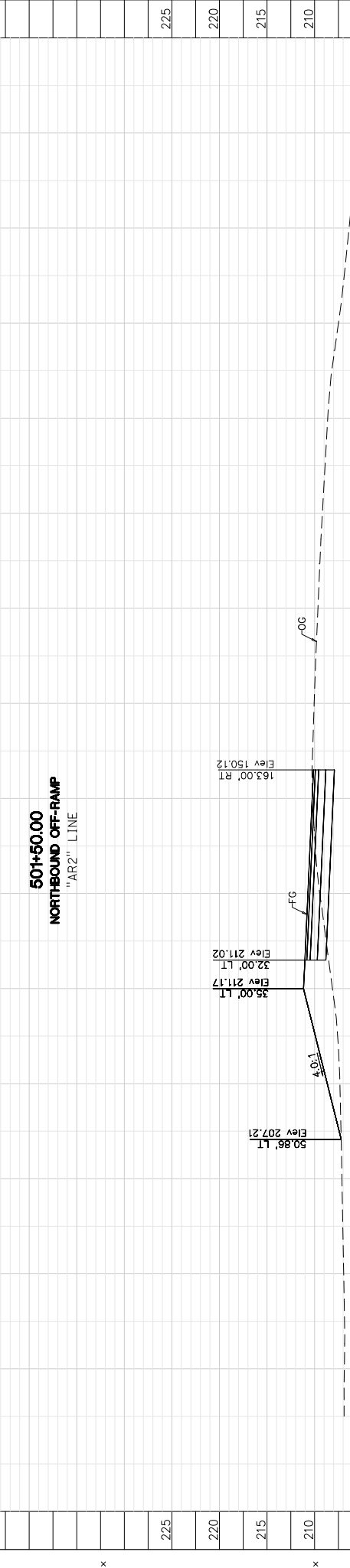
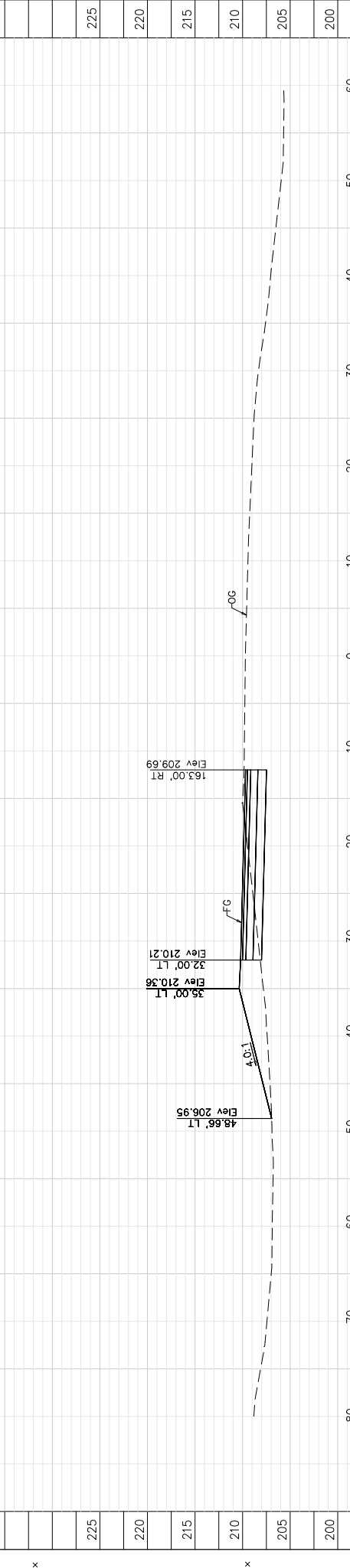
"AR2" LINE  
**DESIGN CROSS SECTIONS**  
SCALE: Horiz 1" = 5'  
Vert 1" = 5'

Dist	County	Route	Post Miles	SHEET TOTAL
04	SCL	101	R28.4/R28.9	PROJECT SHEETS
				2
				54



**DESIGN CROSS SECTIONS**  
"AR2" LINE  
SCALE: Horiz 1" = 5'  
Vert 1" = 5'

Dist	County	Route	Post Miles	SHEET TOTAL
04	SCL	101	R28.4/R28.9	NO. SHEETS
				3
				54

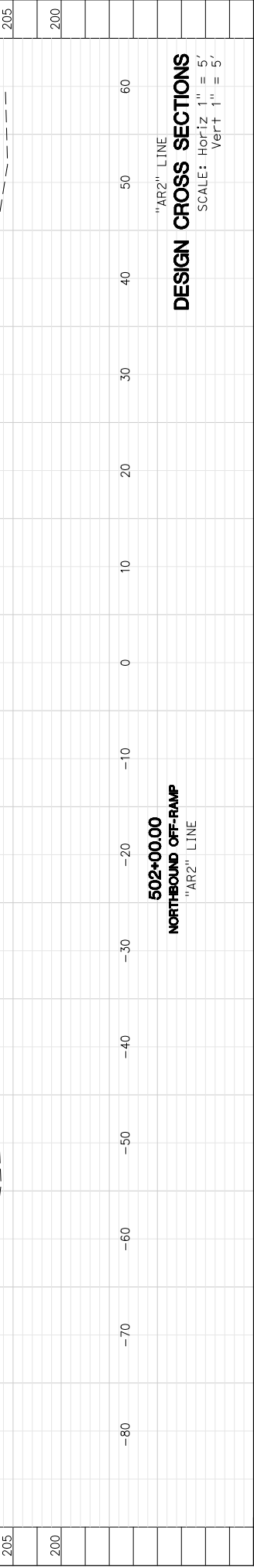
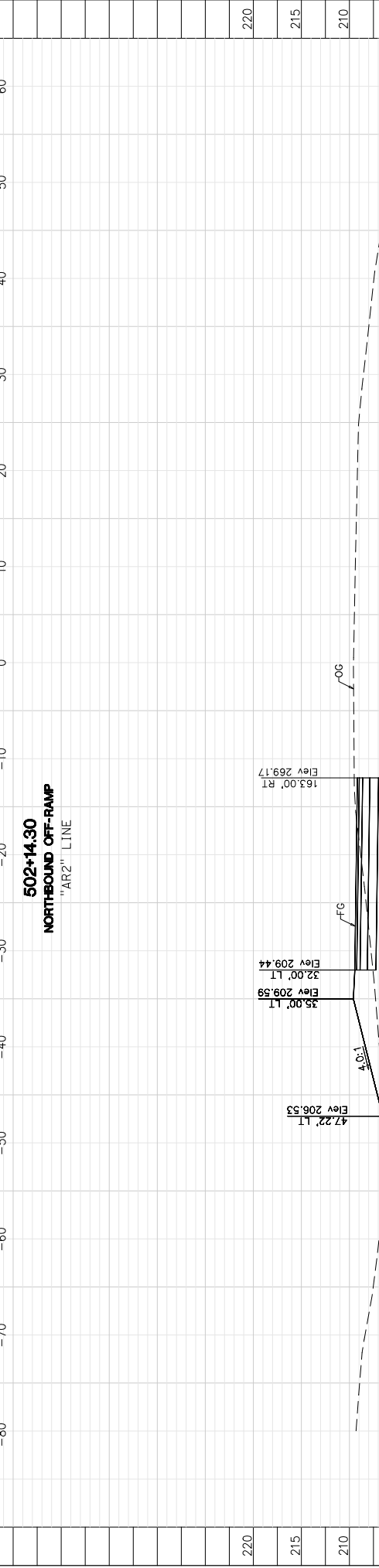
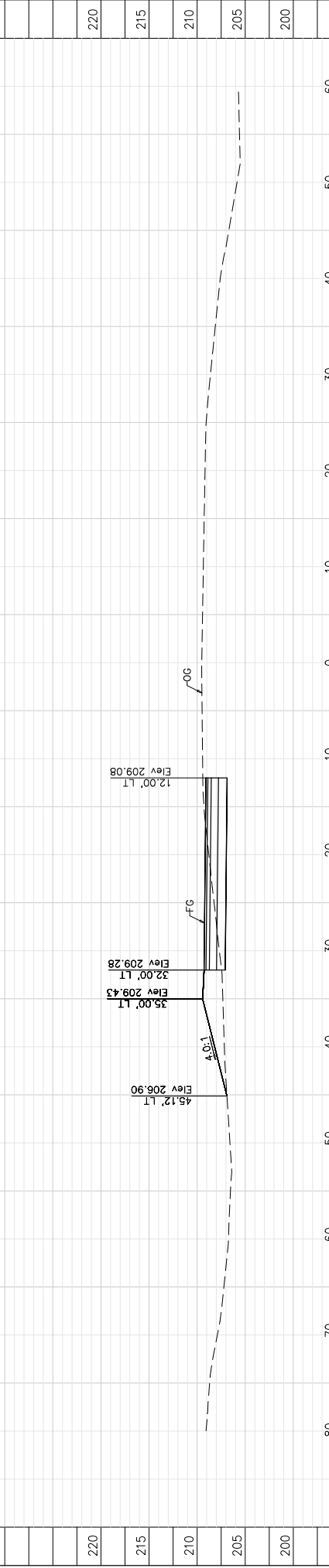


"AR2" LINE  
**DESIGN CROSS SECTIONS**  
SCALE: Horiz 1" = 5'  
Vert 1" = 5'

PROJECT NUMBER & PHASE: 0416000224

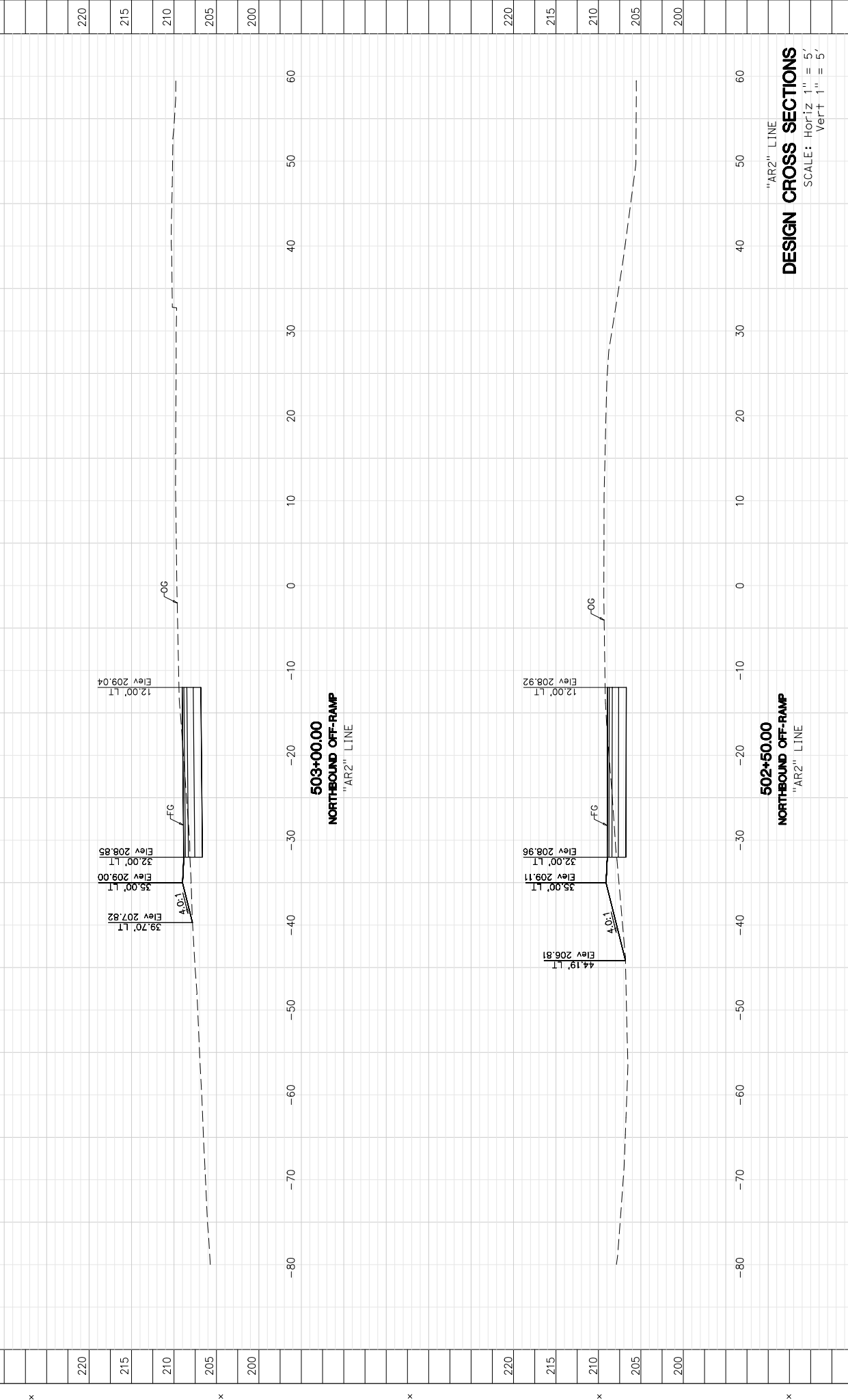
RELATIVE BORDER SCALE IS IN INCHES

Dist	County	Route	Post Miles Total Project	Sheet No.	Total Sheets
04	SCL	101	R28.4/R28.9	4	54



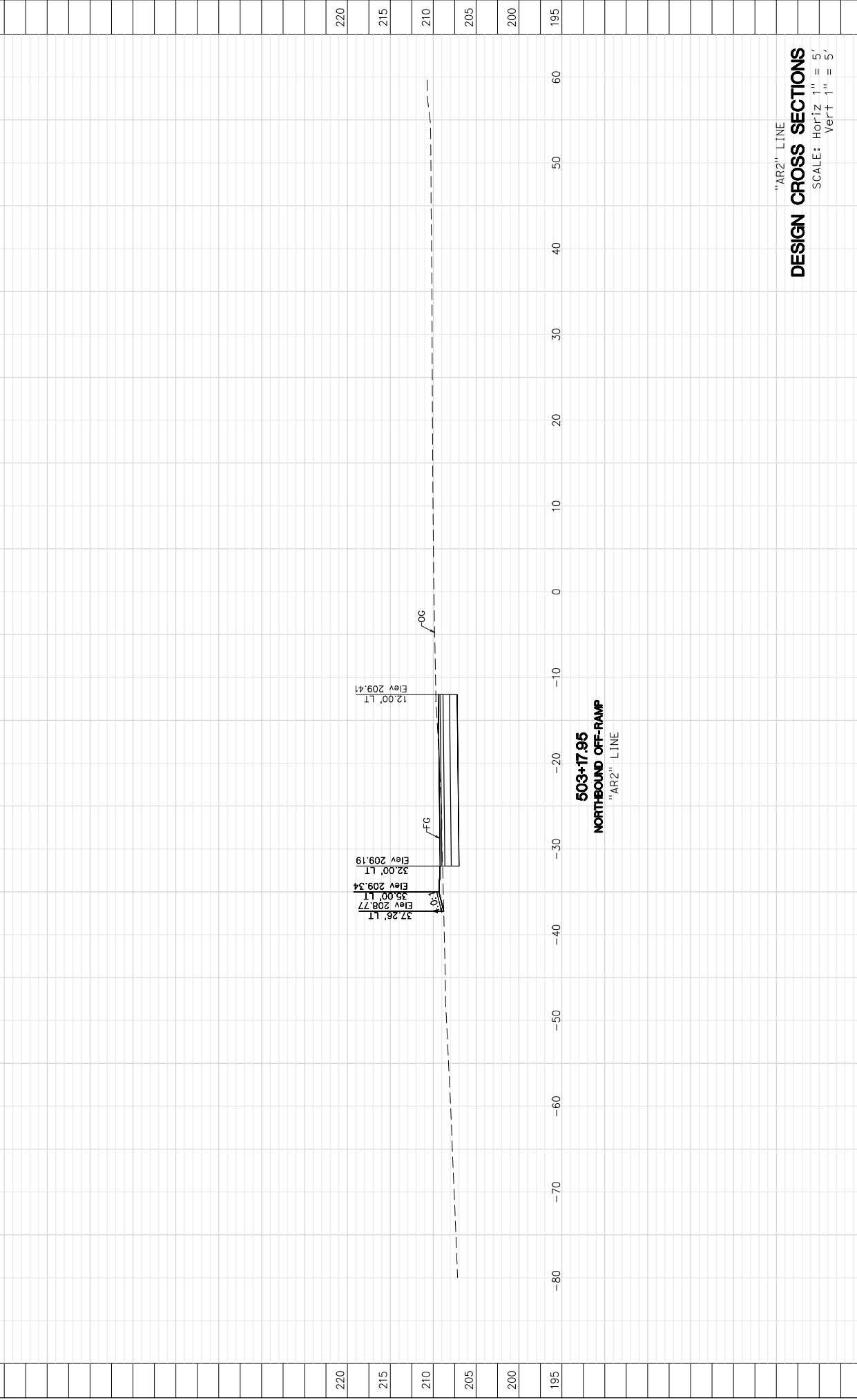
"AR2" LINE  
**DESIGN CROSS SECTIONS**  
SCALE: Horiz 1" = 5'  
Vert 1" = 5'

Dist	County	Route	Post Miles Total Project	Sheet No.	Total Sheets
04	SCL	101	R28.4/R28.9	5	54



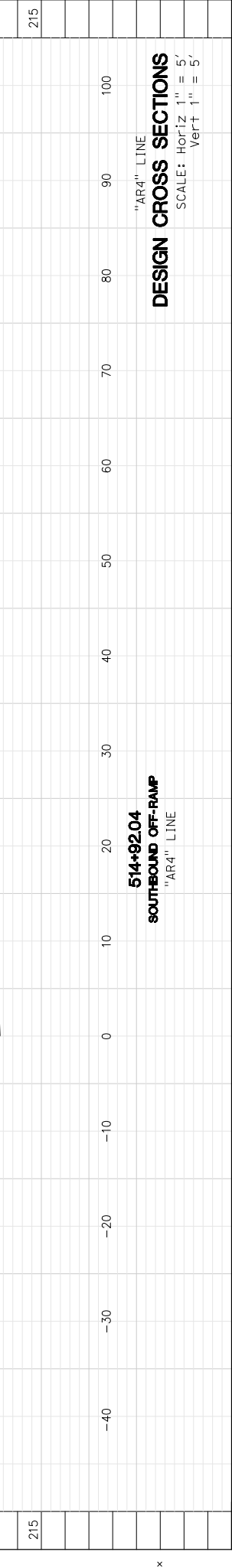
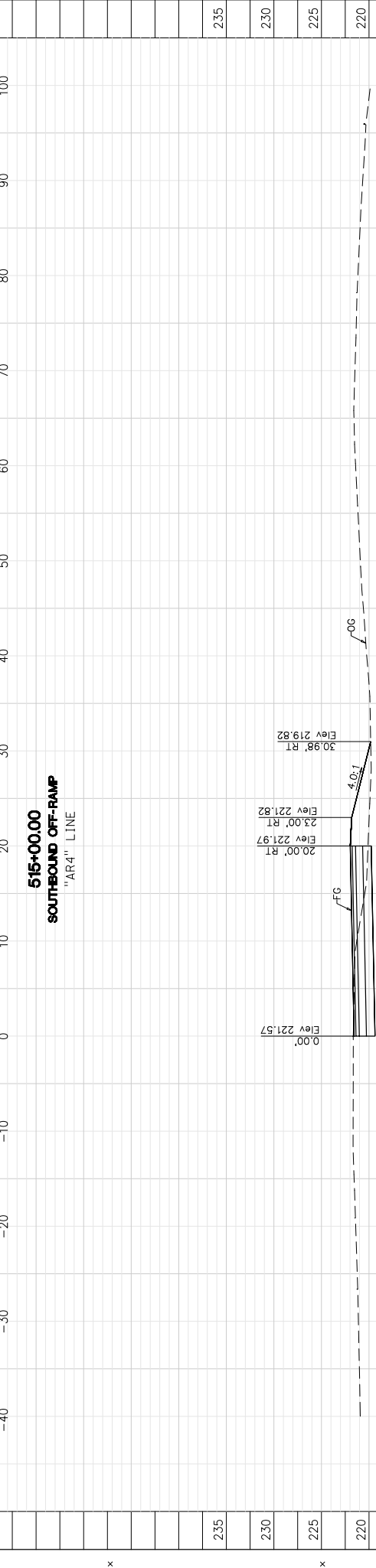
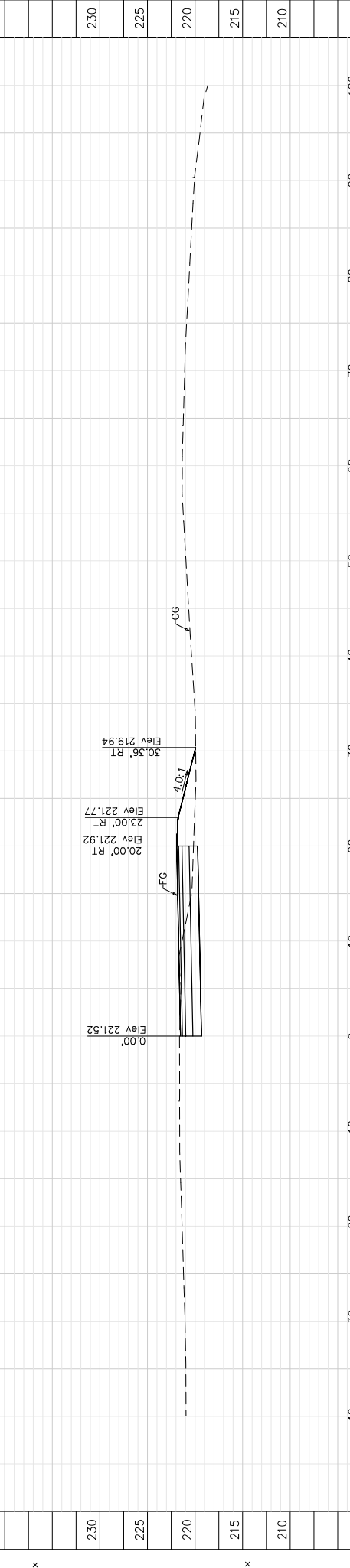
**DESIGN CROSS SECTIONS**  
 "AR2" LINE  
 SCALE: Horiz 1" = 5'  
 Vert 1" = 5'

Dist	County	Route	Post Miles Total Project	Sheet No.	Total Sheets
04	SCL	101	R28.4/R28.9	6	54

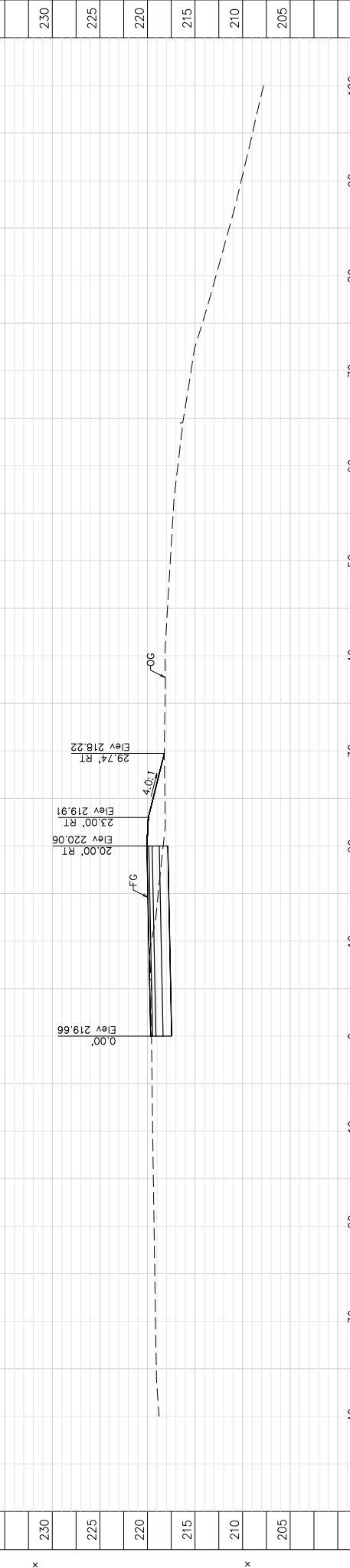


**DESIGN CROSS SECTIONS**  
 SCALE: Horiz 1" = 5'  
 Vert 1" = 5'

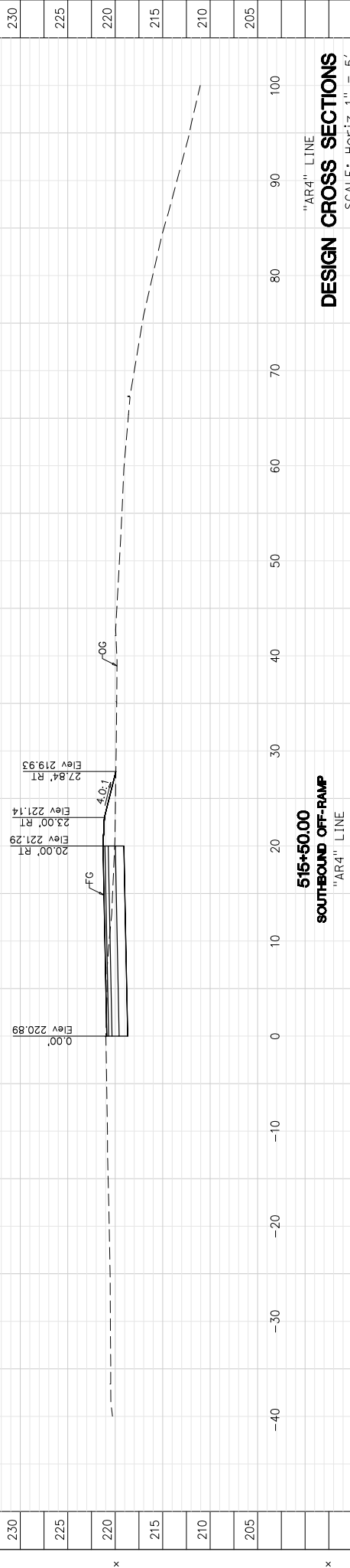
Dist	County	Route	Post Miles	SHEET TOTAL
04	SCL	101	R28.4/R28.9	PROJECT SHEETS
				7
				54



Dist	County	Route	Post Miles	SHEET TOTAL
04	SCL	101	R28.4/R28.9	PROJECT SHEETS
				8
				54



**516+00.00**  
**SOUTHBOUND OFF-RAMP**  
**"AR4" LINE**



**515+50.00**  
**SOUTHBOUND OFF-RAMP**  
**"AR4" LINE**

**DESIGN CROSS SECTIONS**  
 "AR4" LINE  
 SCALE: Horiz 1" = 5'  
 Vert 1" = 5'

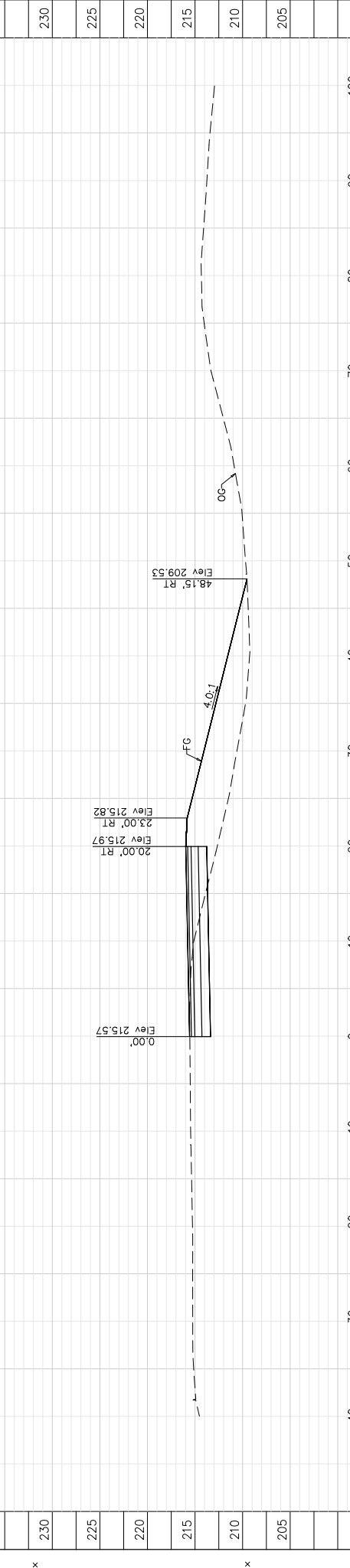
RELATIVE BORDER SCALE IS IN INCHES

PROJECT NUMBER & PHASE

0416000224



Dist	County	Route	Post Miles	SHEET TOTAL
04	SCL	101	R28.4/R28.9	PROJECT SHEETS
				9
				54



**517+00.00**  
**SOUTHBOUND OFF-RAMP**  
 "AR4" LINE



**516+50.00**  
**SOUTHBOUND OFF-RAMP**  
 "AR4" LINE

"AR4" LINE  
**DESIGN CROSS SECTIONS**  
 SCALE: Horiz 1" = 5'  
 Vert 1" = 5'

RELATIVE BORDER SCALE  
 IS IN INCHES

PROJECT NUMBER & PHASE

0416000224

x

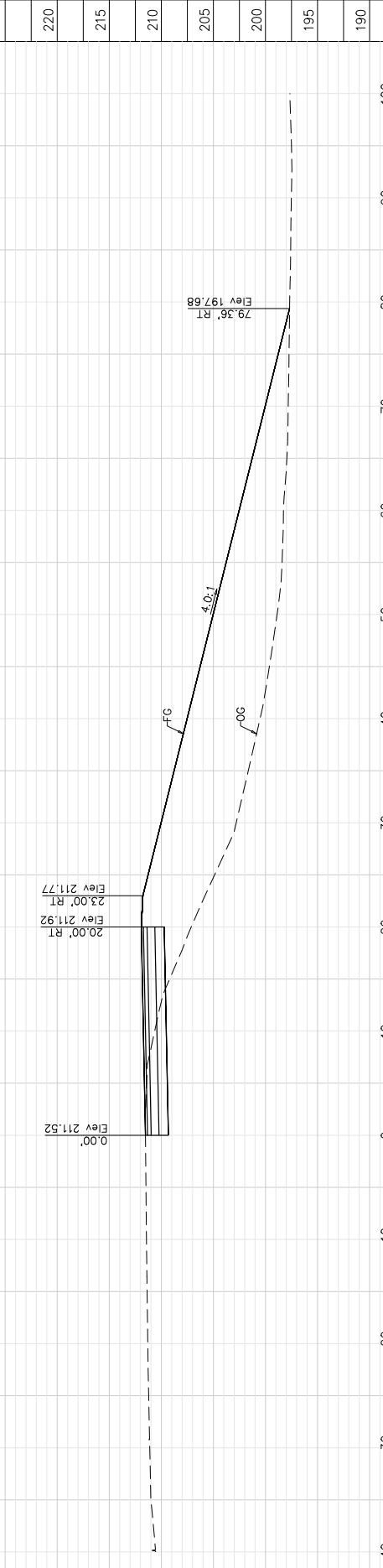
x

x

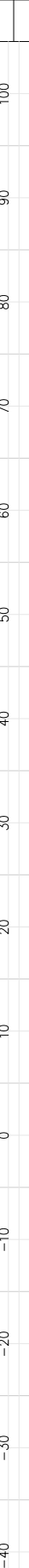
x

x

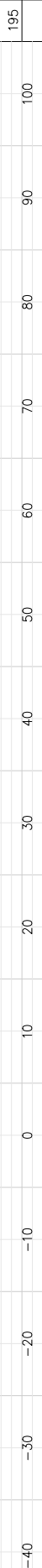
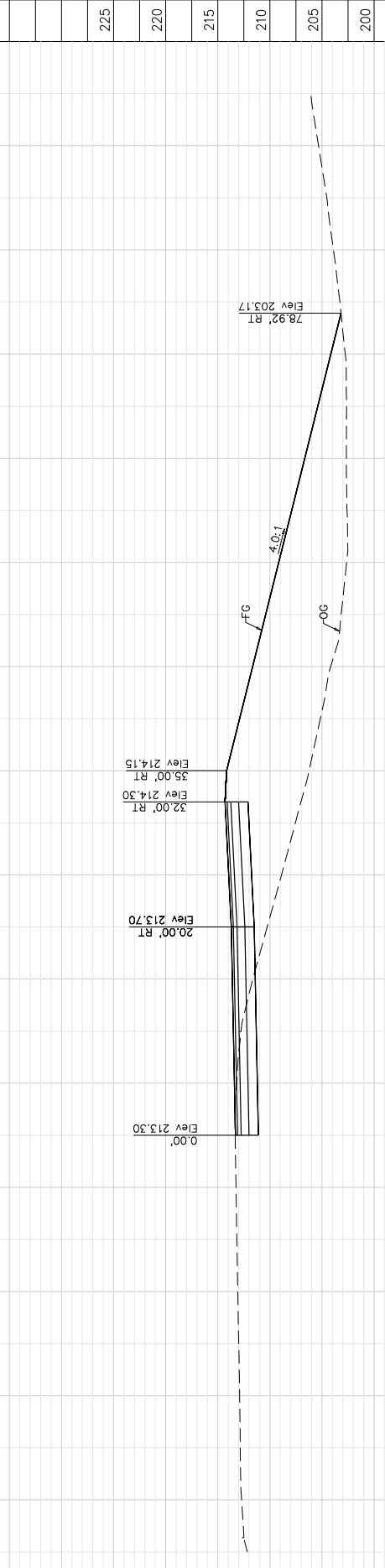
Dist	County	Route	Post Miles	SHEET TOTAL
04	SCL	101	R28.4/R28.9	PROJECT SHEETS
				10 54



**517+93.05**  
SOUTHBOUND OFF-RAMP  
"AR4" LINE



**517+50.00**  
SOUTHBOUND OFF-RAMP  
"AR4" LINE

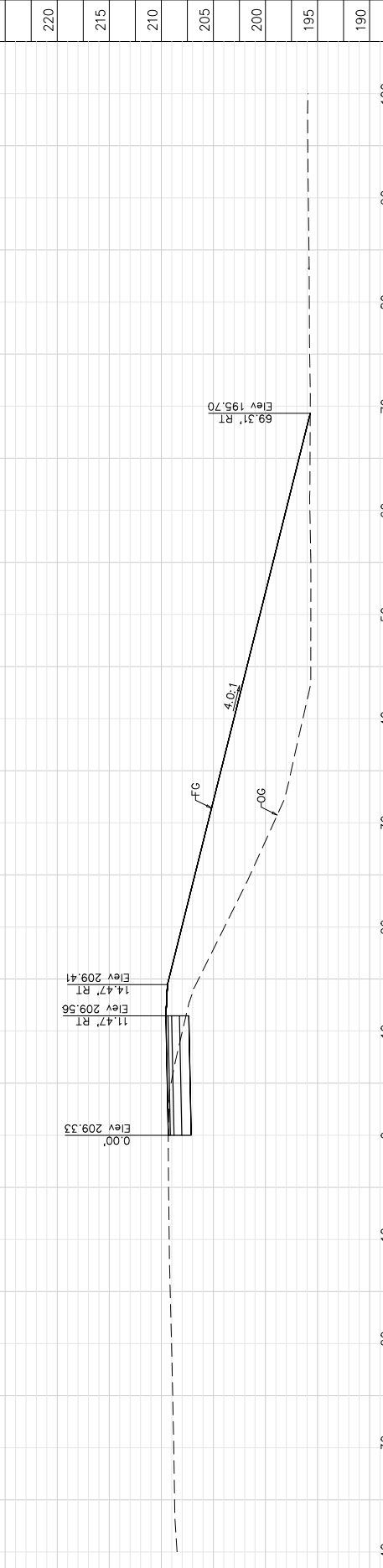


**517+50.00**  
SOUTHBOUND OFF-RAMP  
"AR4" LINE

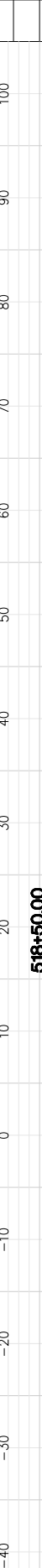
"AR4" LINE  
SCALE: Horiz 1" = 5'  
Vert 1" = 5'

220	215	210	205	200	195	190	225	220	215	210	205	200	195
-----	-----	-----	-----	-----	-----	-----	-----	-----	-----	-----	-----	-----	-----

Dist	County	Route	Post Miles	SHEET TOTAL
04	SCL	101	R28.4/R28.9	PROJECT SHEETS
				NO.
				11
				54



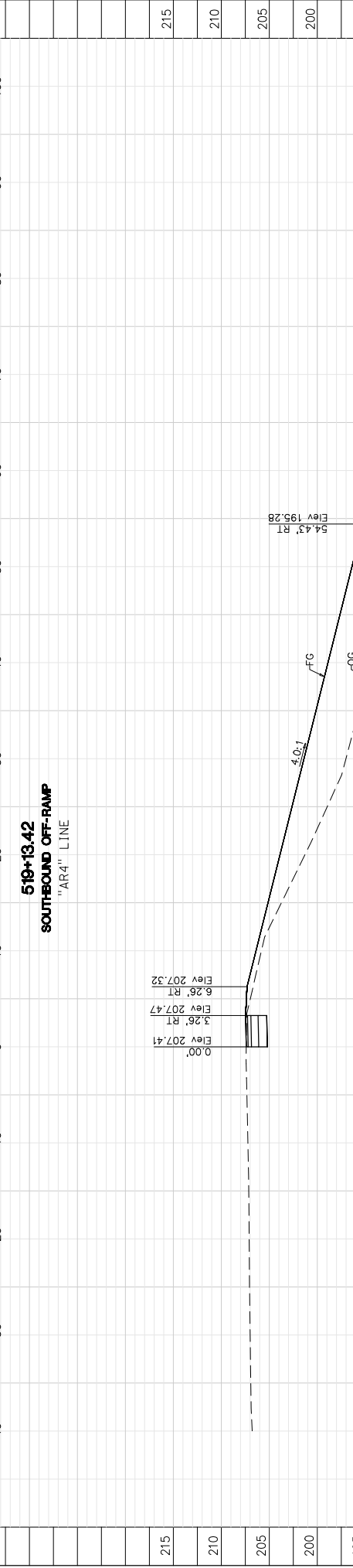
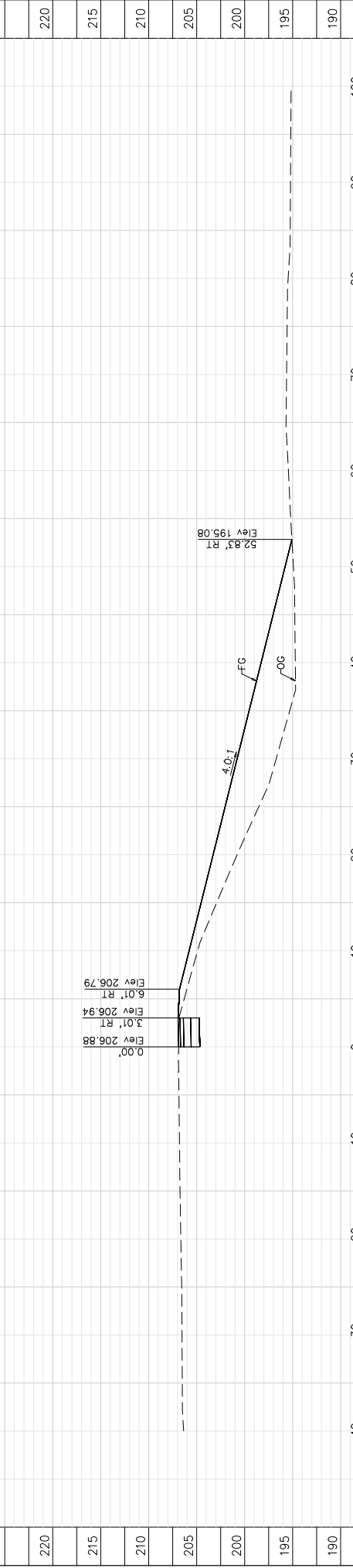
**518+50.00**  
SOUTHBOUND OFF-RAMP  
"AR4" LINE



**518+00.00**  
SOUTHBOUND OFF-RAMP  
"AR4" LINE

"AR4" LINE  
**DESIGN CROSS SECTIONS**  
SCALE: Horiz 1" = 5'  
Vert 1" = 5'

Dist	County	Route	Post Miles	SHEET	TOTAL
04	SCL	101	R28.4/R28.9	12	54

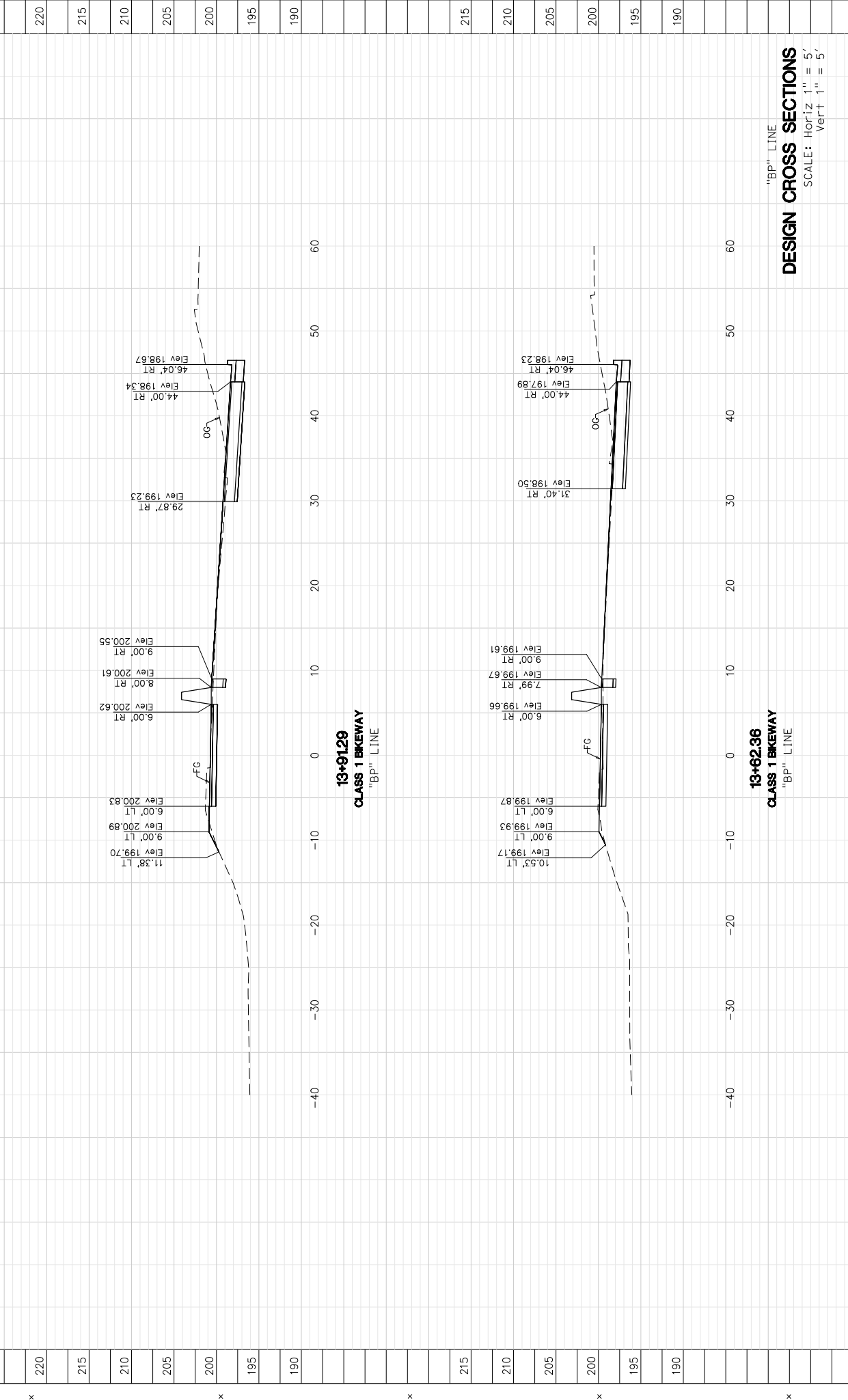


"AR4" LINE  
DESIGN CROSS SECTIONS  
SCALE: Horiz 1" = 5'  
Vert 1" = 5'

PROJECT NUMBER & PHASE 0416000224

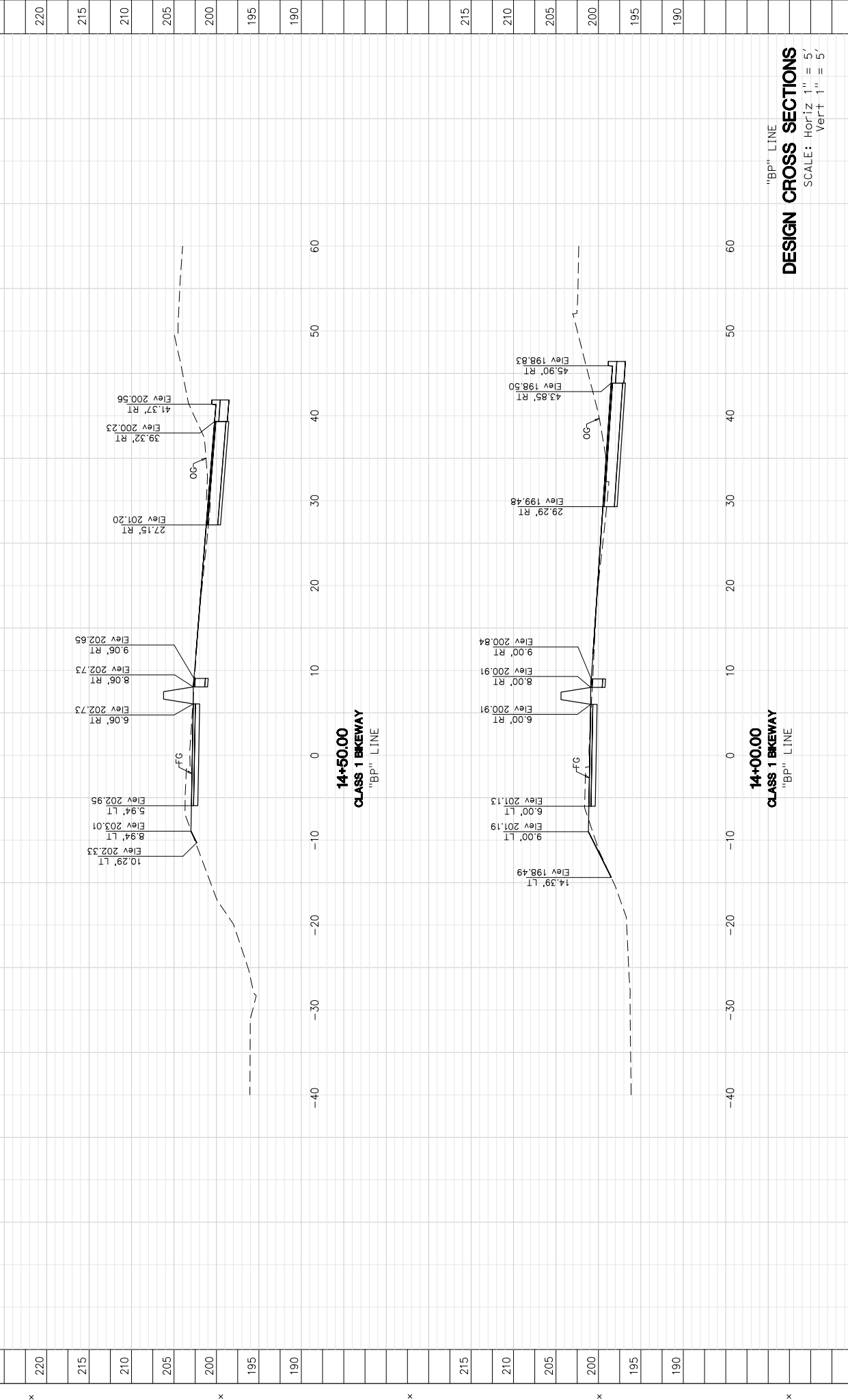
RELATIVE BORDER SCALE IS IN INCHES

Dist	County	Route	Post Miles Total Project	Sheet No.	Total Sheets
04	SCL	101	R28.4/R28.9	13	54



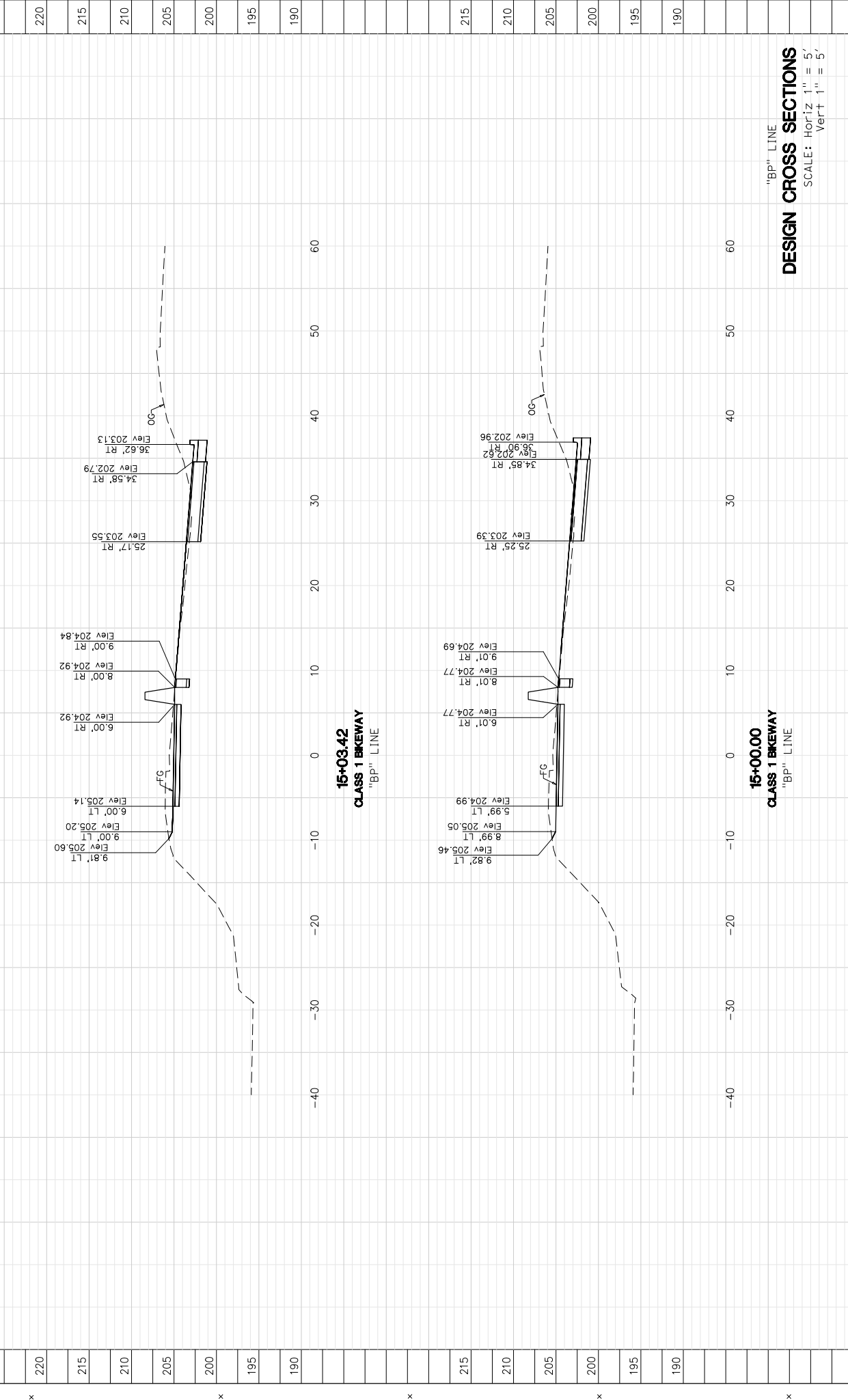
"BP" LINE  
**DESIGN CROSS SECTIONS**  
SCALE: Horiz 1" = 5'  
Vert 1" = 5'

Dist	County	Route	Post Miles	SHEET TOTAL
04	SCL	101	R28.4/R28.9	PROJECT SHEETS
				14
				54

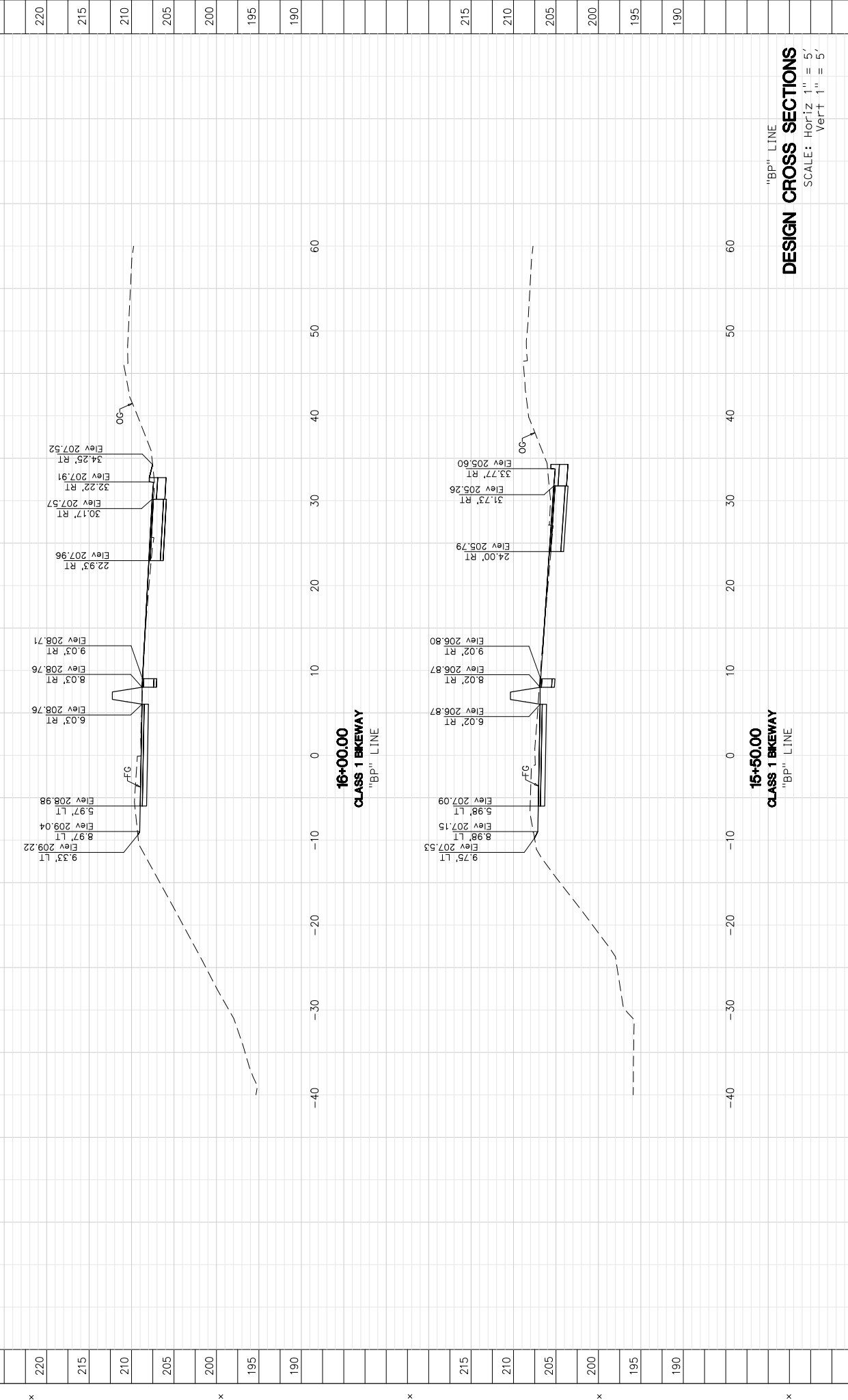


"BP" LINE  
**DESIGN CROSS SECTIONS**  
SCALE: Horiz 1" = 5'  
Vert 1" = 5'

Dist	County	Route	Post Miles	SHEET TOTAL
04	SCL	101	R28.4/R28.9	PROJECT SHEETS
				15
				54



Dist	County	Route	Post Miles Total Project	Sheet No.	Total Sheets
04	SCL	101	R28.4/R28.9	16	54



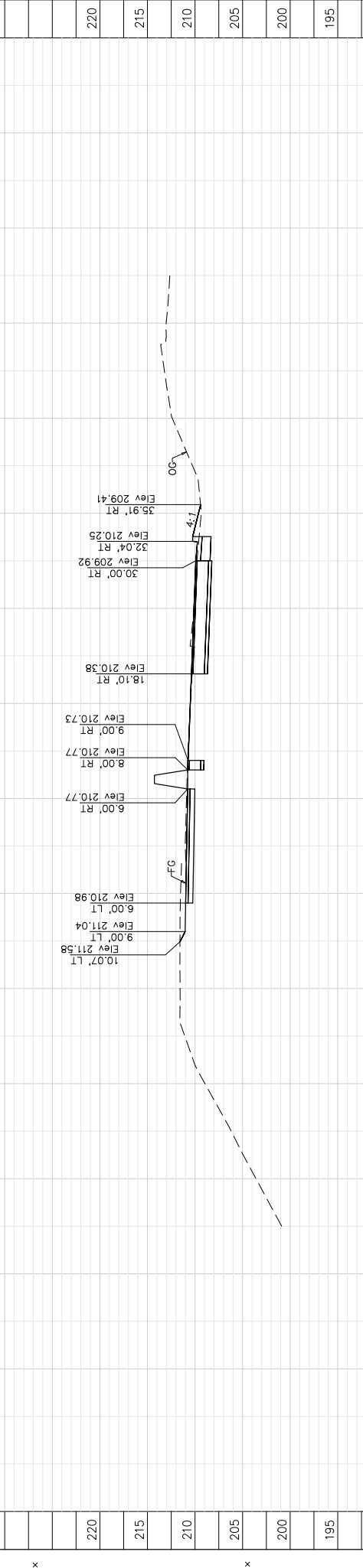
**DESIGN CROSS SECTIONS**  
 "BP" LINE  
 SCALE: Horiz 1" = 5'  
 Vert 1" = 5'

PROJECT NUMBER & PHASE 0416000224

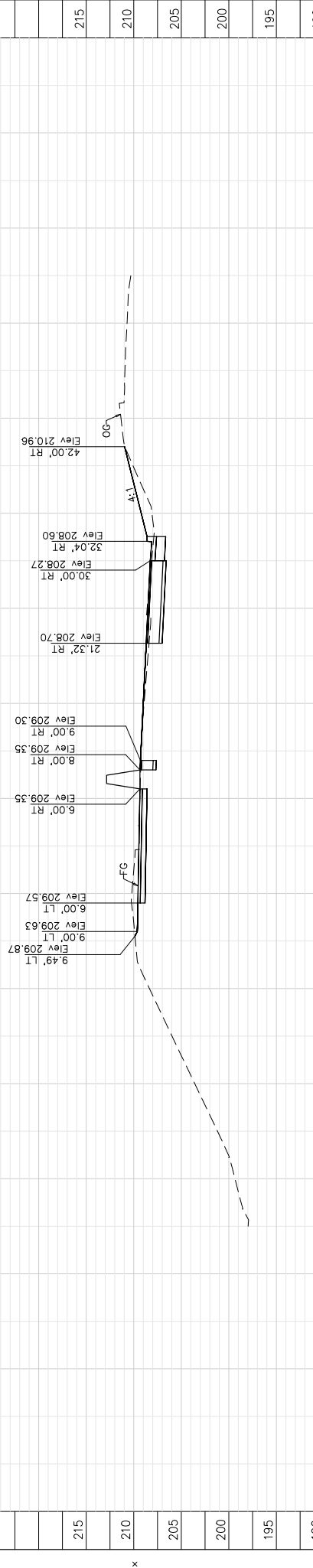
RELATIVE BORDER SCALE IS IN INCHES



Dist	County	Route	Post Miles	SHEET TOTAL
04	SCL	101	R28.4/R28.9	PROJECT SHEETS
				NO.
				17
				54



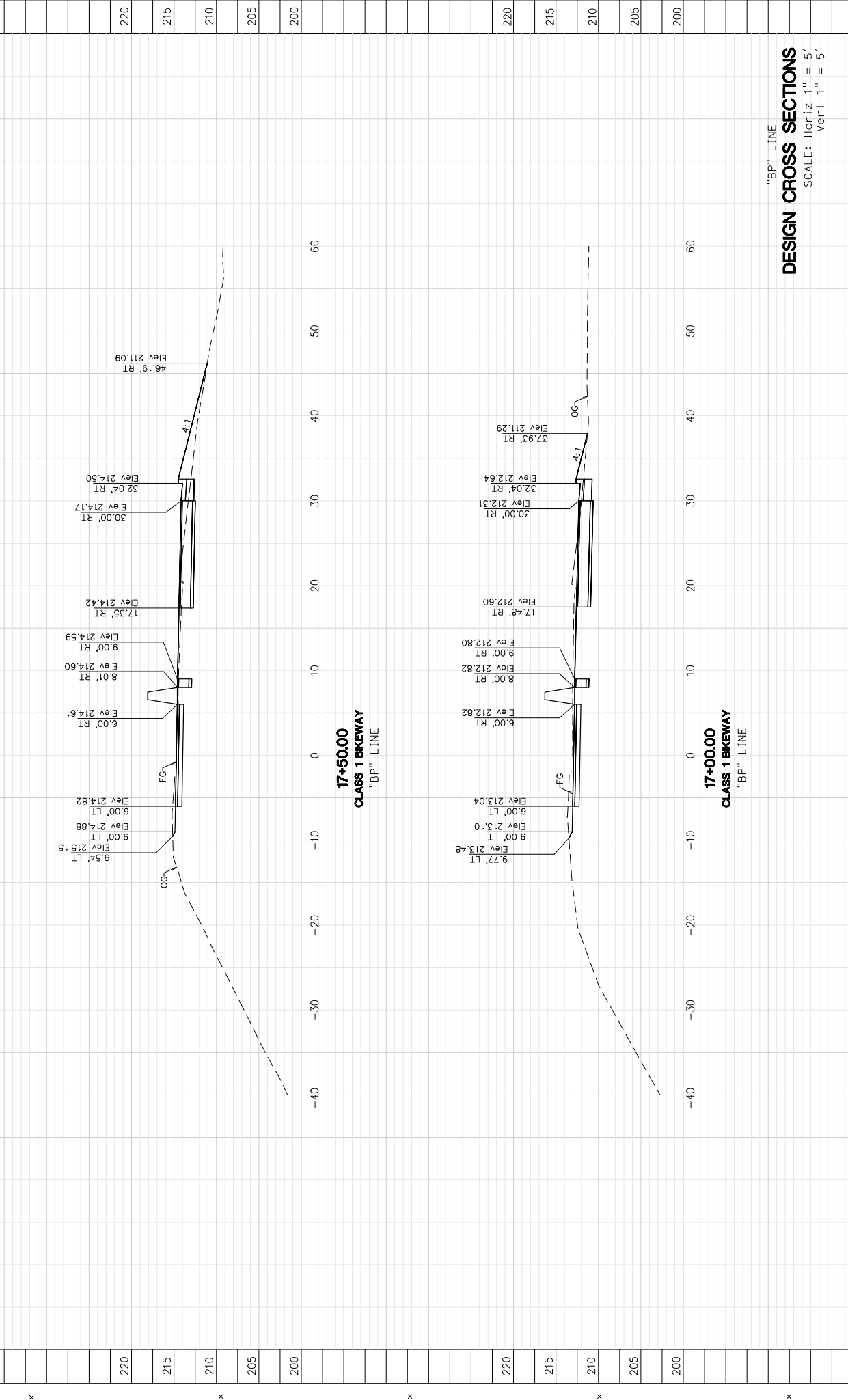
**16+50.00**  
CLASS 1 BIKEWAY  
"BP" LINE



**16+15.54**  
CLASS 1 BIKEWAY  
"BP" LINE

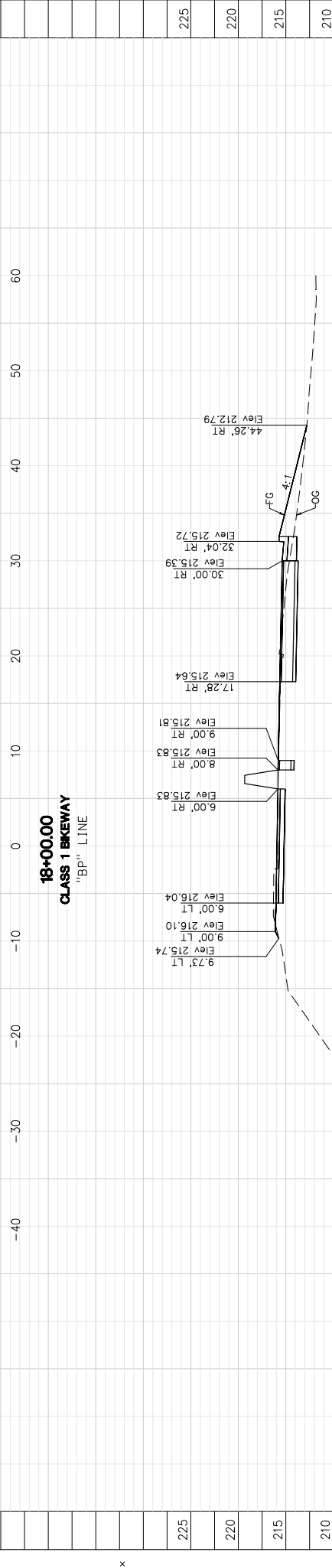
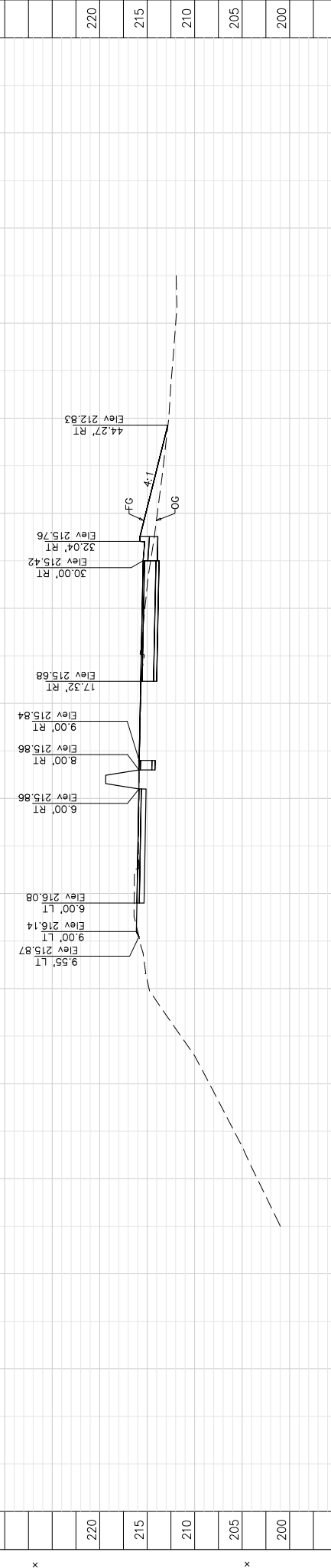
**DESIGN CROSS SECTIONS**  
SCALE: Horiz 1" = 5'  
Vert 1" = 5'

Dist	County	Route	Post Miles	SHEET TOTAL
04	SCL	101	R28.4/R28.9	PROJECT SHEETS
				18
				54



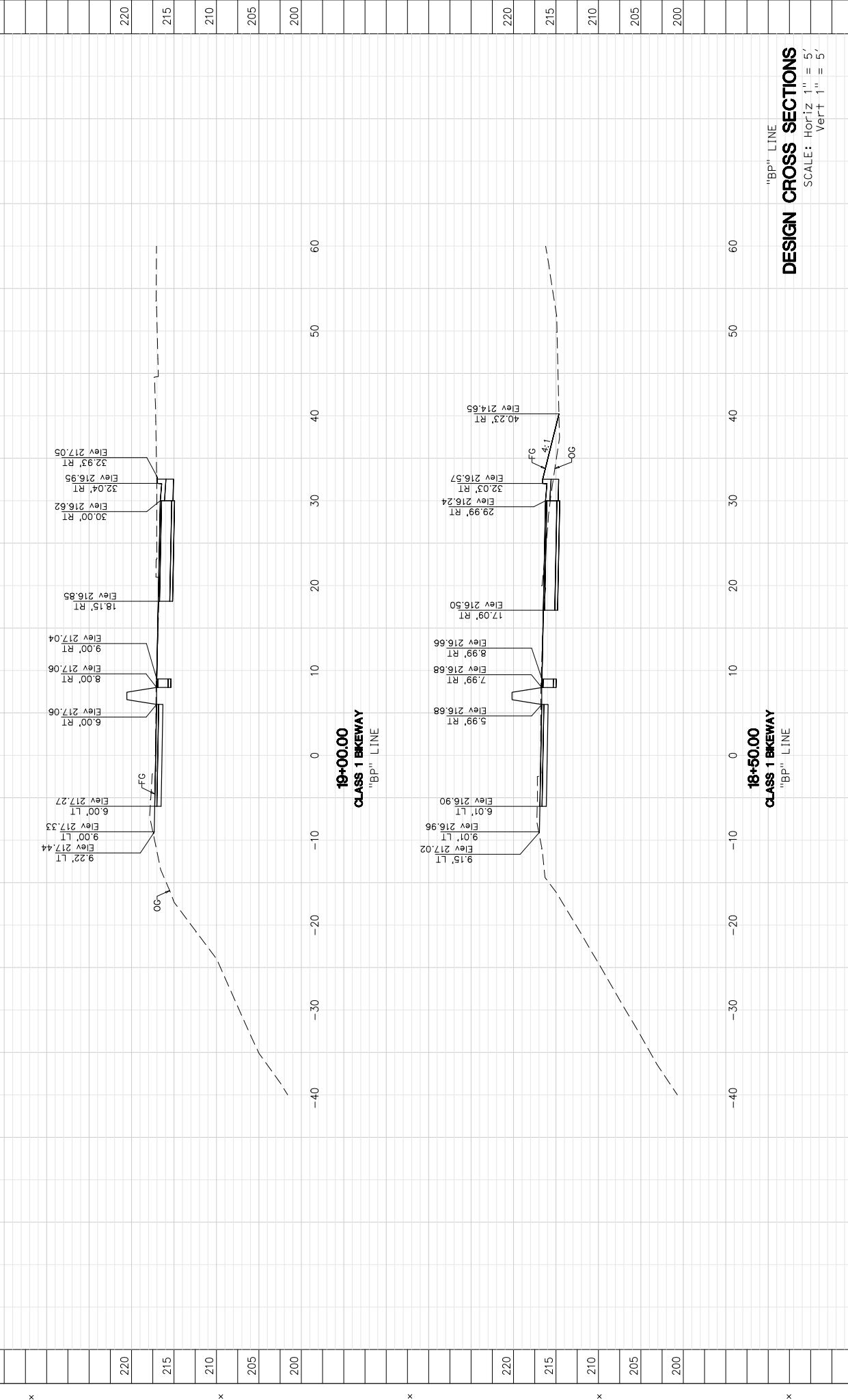
**DESIGN CROSS SECTIONS**  
 "BP" LINE  
 SCALE: Horiz 1" = 5'  
 Vert 1" = 5'

Dist	County	Route	Post Miles Total Project	Sheet No.	Total Sheets
04	SCL	101	R28.4/R28.9	19	54



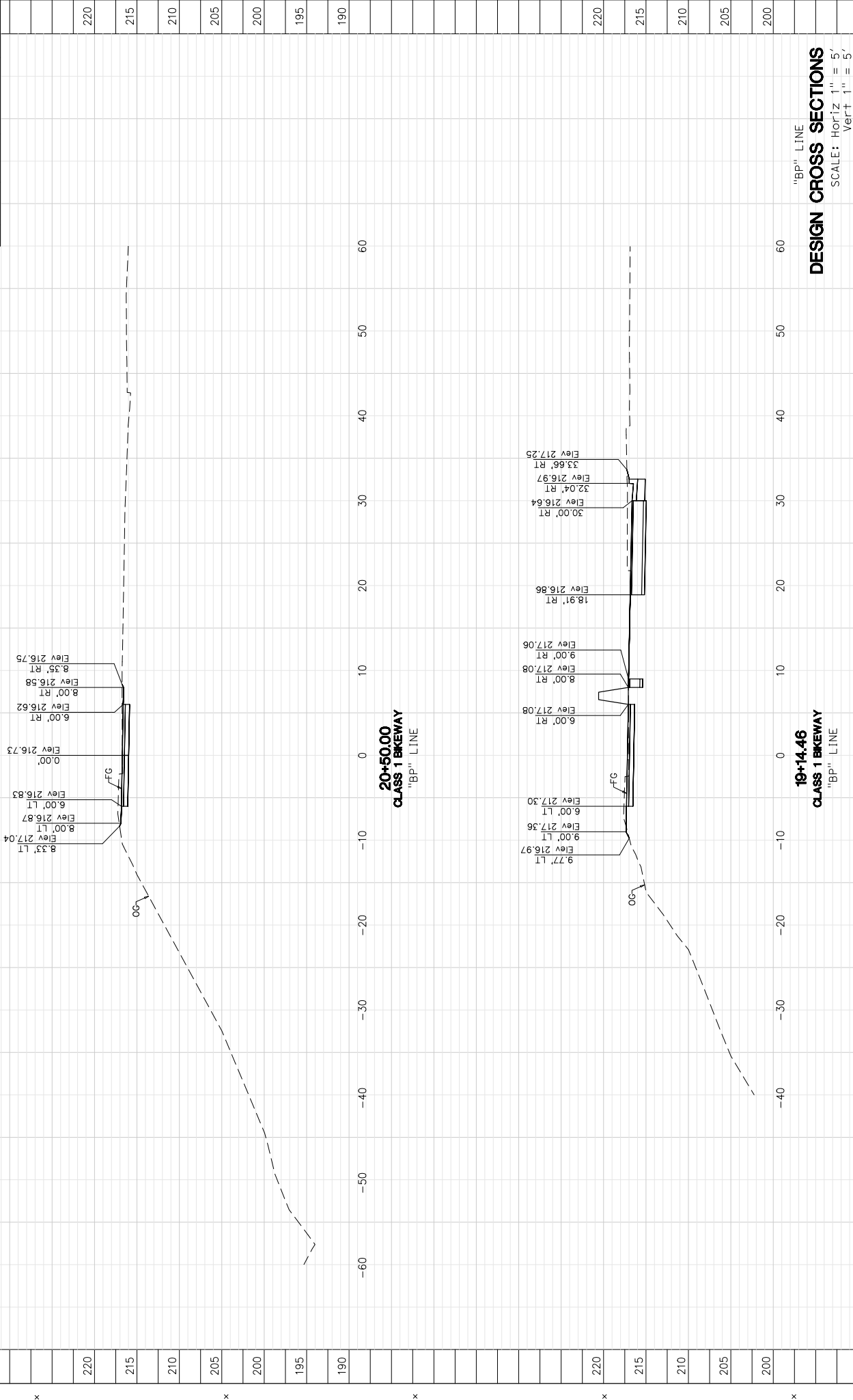
**DESIGN CROSS SECTIONS**  
"BP" LINE  
SCALE: Horiz 1" = 5'  
Vert 1" = 5'

Dist	County	Route	Post Miles	SHEET TOTAL
04	SCL	101	R28.4/R28.9	NO. SHEETS
				20 54



**DESIGN CROSS SECTIONS**  
 "BP" LINE  
 SCALE: Horiz 1" = 5'  
 Vert 1" = 5'

Dist	County	Route	Post Miles	SHEET TOTAL
04	SCL	101	R28.4/R28.9	NO. SHEETS
				21 54



220	215	210	205	200	195	190
-----	-----	-----	-----	-----	-----	-----

220	215	210	205	200	195	190
-----	-----	-----	-----	-----	-----	-----

220	215	210	205	200	195	190
-----	-----	-----	-----	-----	-----	-----

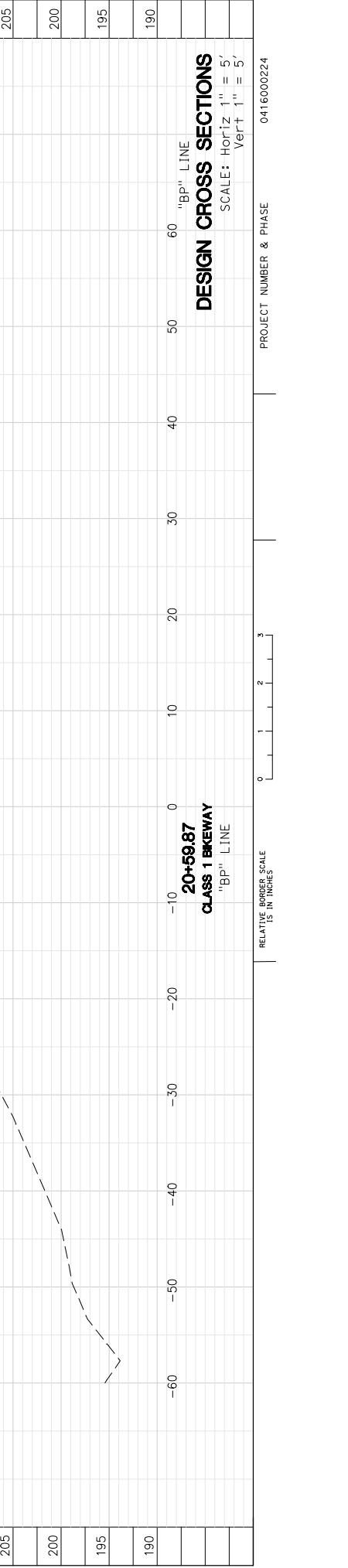
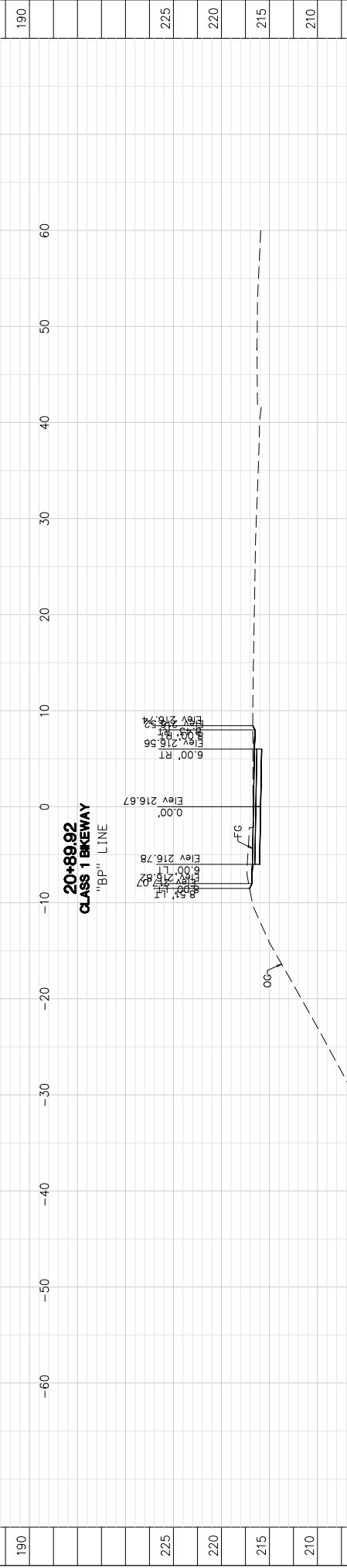
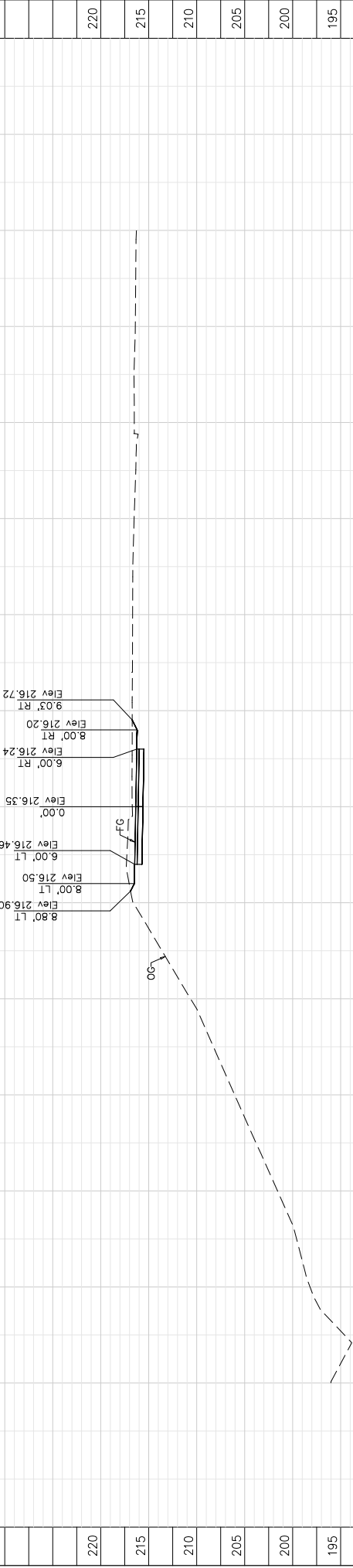
220	215	210	205	200	195	190
-----	-----	-----	-----	-----	-----	-----

220	215	210	205	200	195	190
-----	-----	-----	-----	-----	-----	-----

220	215	210	205	200	195	190
-----	-----	-----	-----	-----	-----	-----

220	215	210	205	200	195	190
-----	-----	-----	-----	-----	-----	-----

Dist	County	Route	Post Miles Total Project	SHEET TOTAL No. SHEETS
04	SCL	101	R28.4/R28.9	22 54

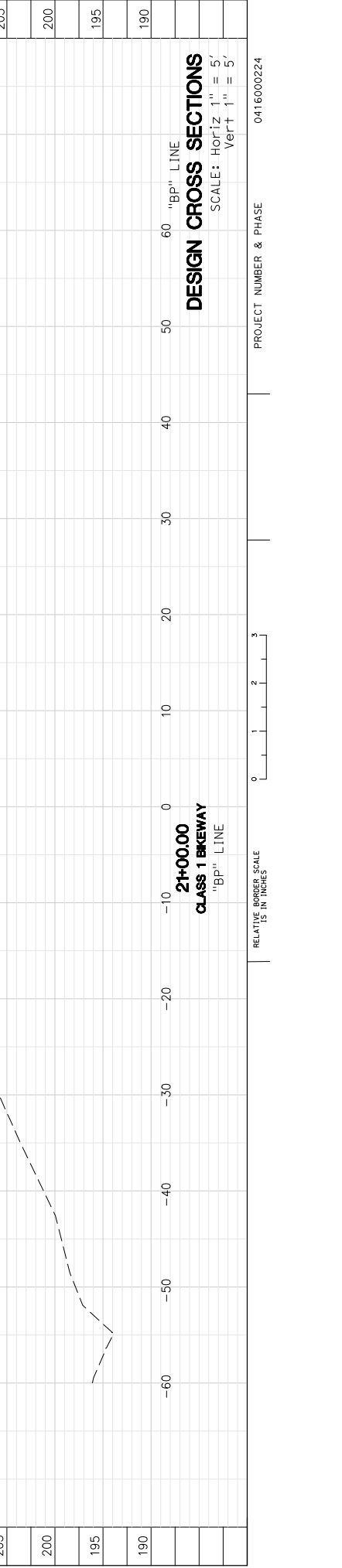
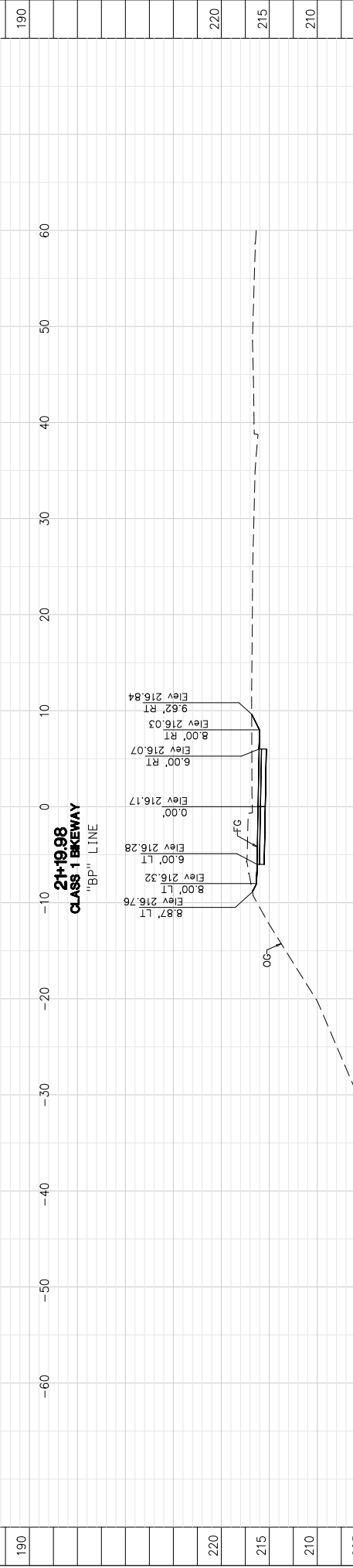
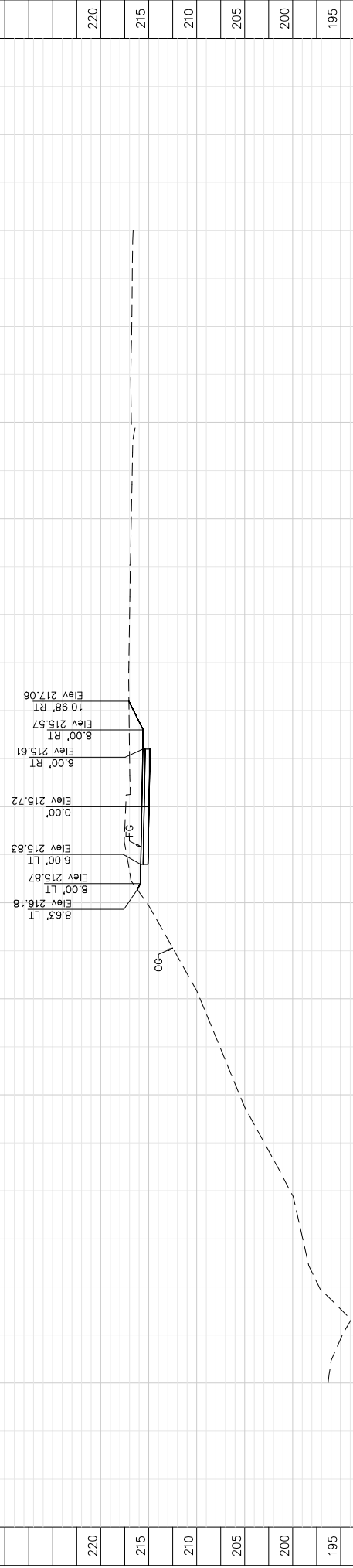


**DESIGN CROSS SECTIONS**  
SCALE: Horiz 1" = 5'  
Vert 1" = 5'

PROJECT NUMBER & PHASE 0416000224

RELATIVE BORDER SCALE IS IN INCHES

Dist	County	Route	Post Miles Total Project	Sheet No.	Total Sheets
04	SCL	101	R28.4/R28.9	23	54



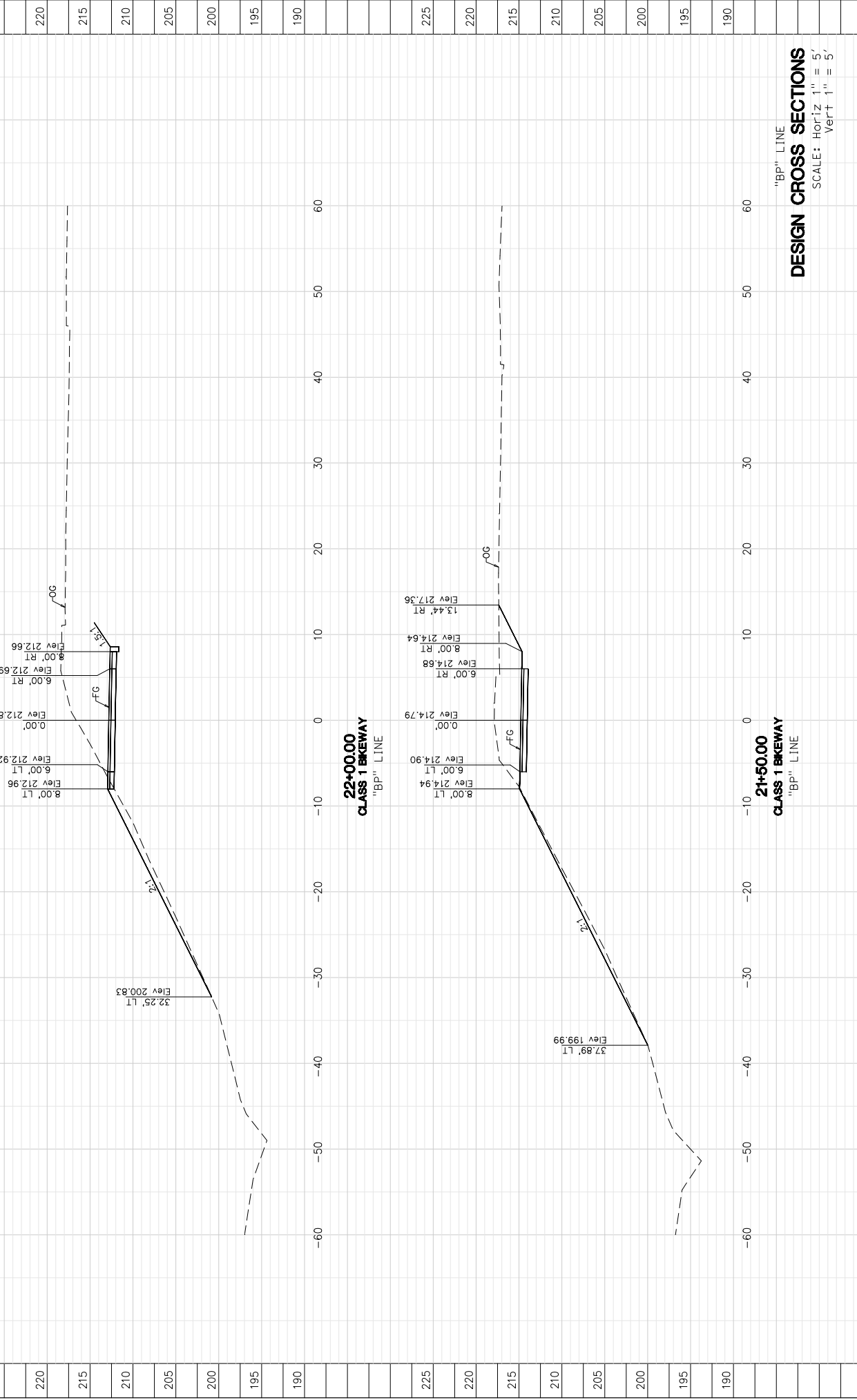
**DESIGN CROSS SECTIONS**  
SCALE: Horiz 1" = 5'  
Vert 1" = 5'

RELATIVE BORDER SCALE IS IN INCHES

PROJECT NUMBER & PHASE

0416000224

Dist	County	Route	Post Miles	SHEET TOTAL
04	SCL	101	R28.4/R28.9	No. SHEETS
				24
				54



**DESIGN CROSS SECTIONS**  
 "BP" LINE  
 SCALE: Horiz 1" = 5'  
 Vert 1" = 5'

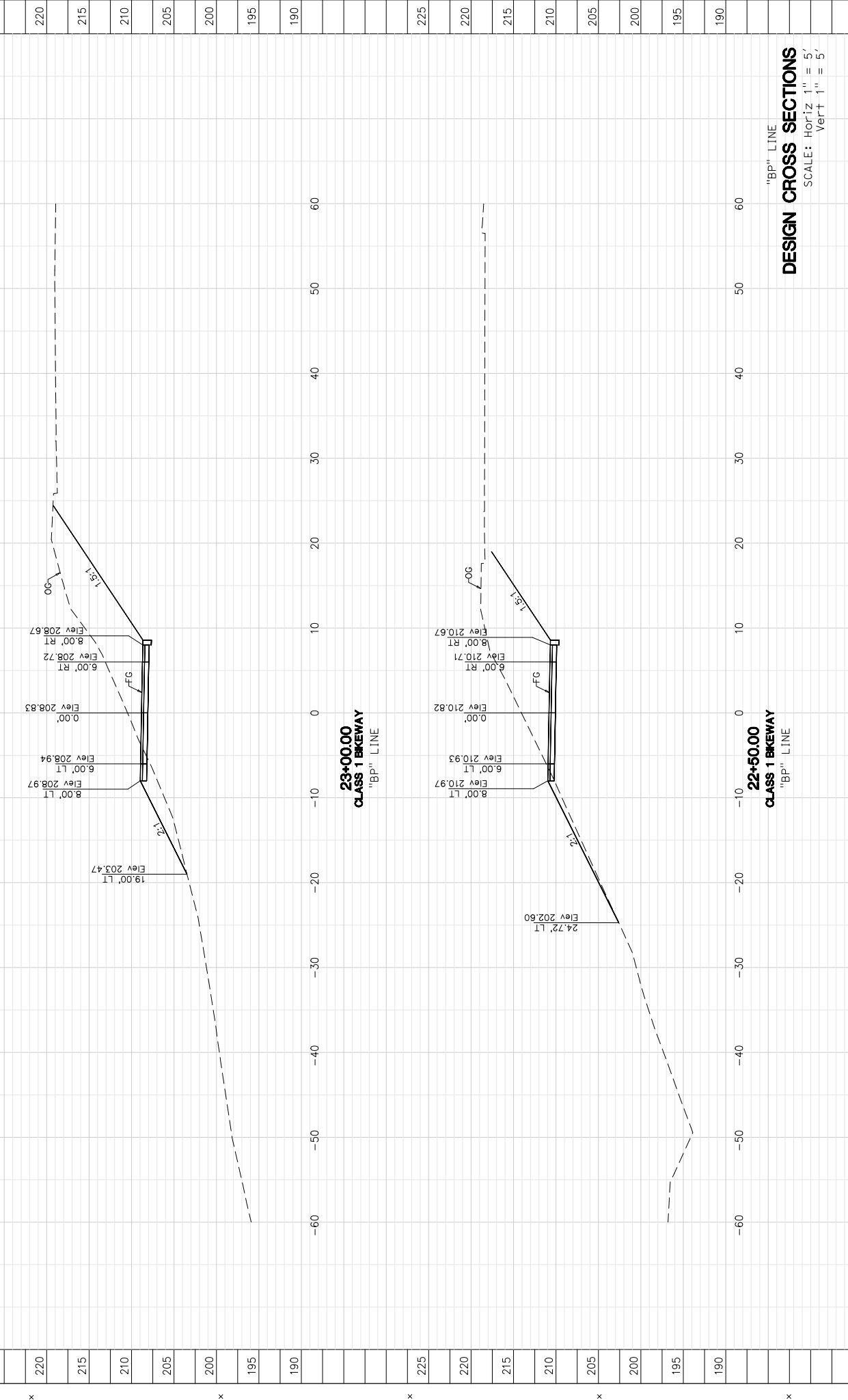
RELATIVE BORDER SCALE IS IN INCHES

PROJECT NUMBER & PHASE

0416000224

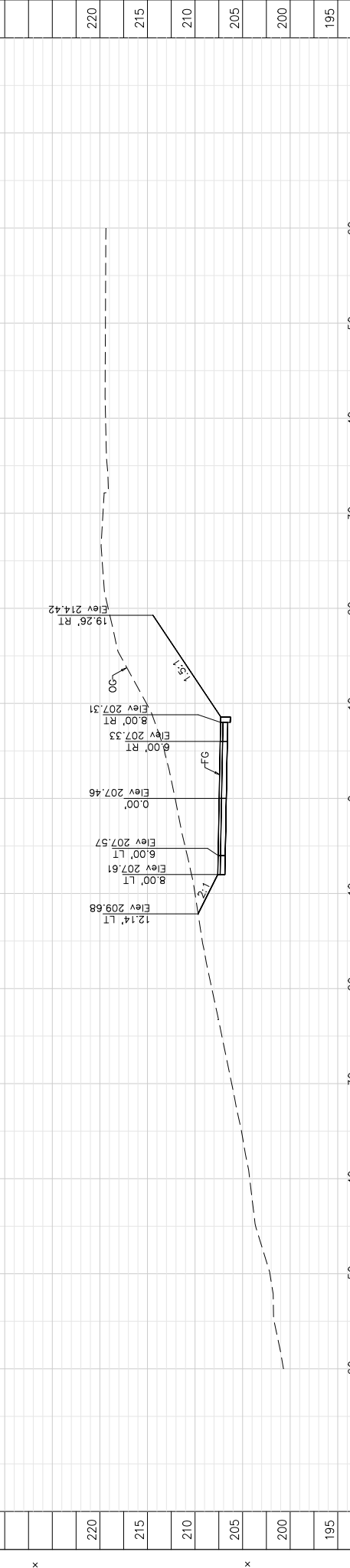


Dist	County	Route	Post Miles	SHEET TOTAL
04	SCL	101	R28.4/R28.9	PROJECT SHEETS
				25
				54

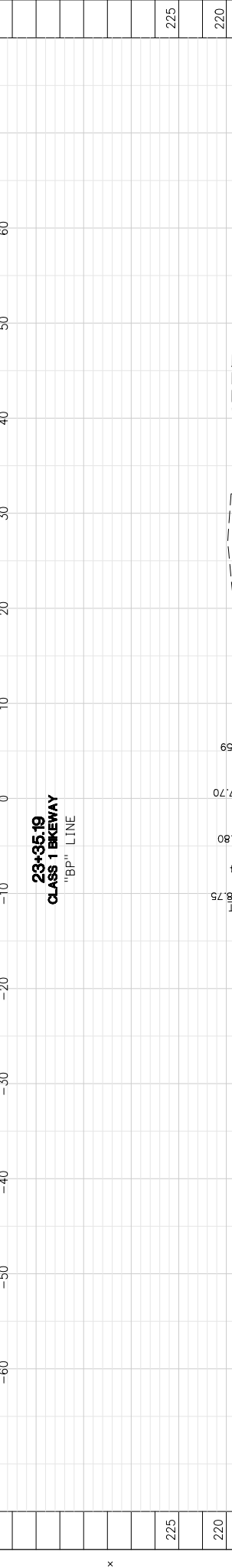


**DESIGN CROSS SECTIONS**  
"BP" LINE  
SCALE: Horiz 1" = 5'  
Vert 1" = 5'

Dist	County	Route	Post Miles	SHEET TOTAL
04	SCL	101	R28.4/R28.9	PROJECT SHEETS
				26
				54



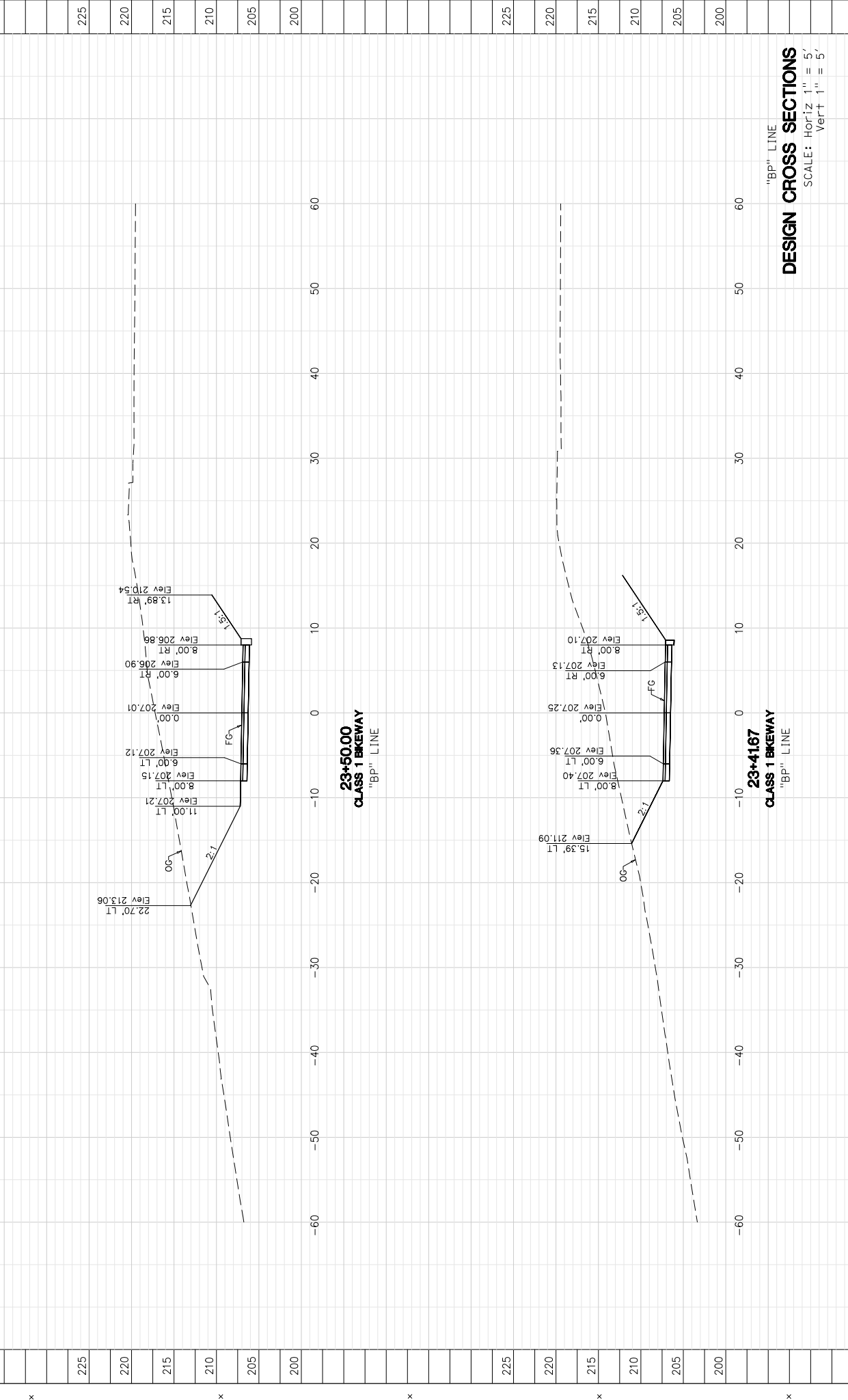
**23+35.19**  
CLASS 1 BKEWAY  
"BP" LINE



**23+28.71**  
CLASS 1 BKEWAY  
"BP" LINE

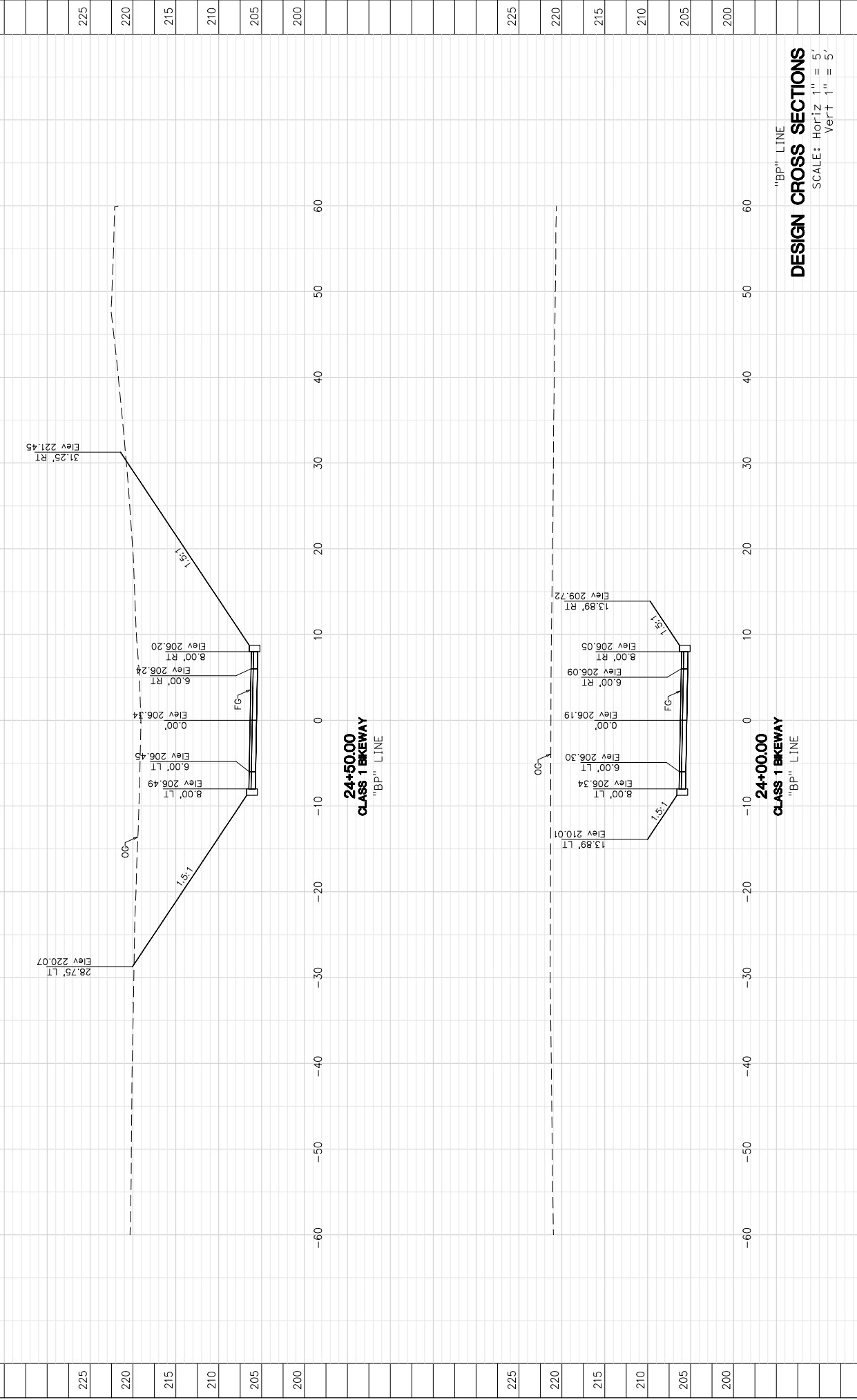
"BP" LINE  
**DESIGN CROSS SECTIONS**  
SCALE: Horiz 1" = 5'  
Vert 1" = 5'

Dist	County	Route	Post Miles	SHEET TOTAL
04	SCL	101	R28.4/R28.9	SHEETS
				27
				54



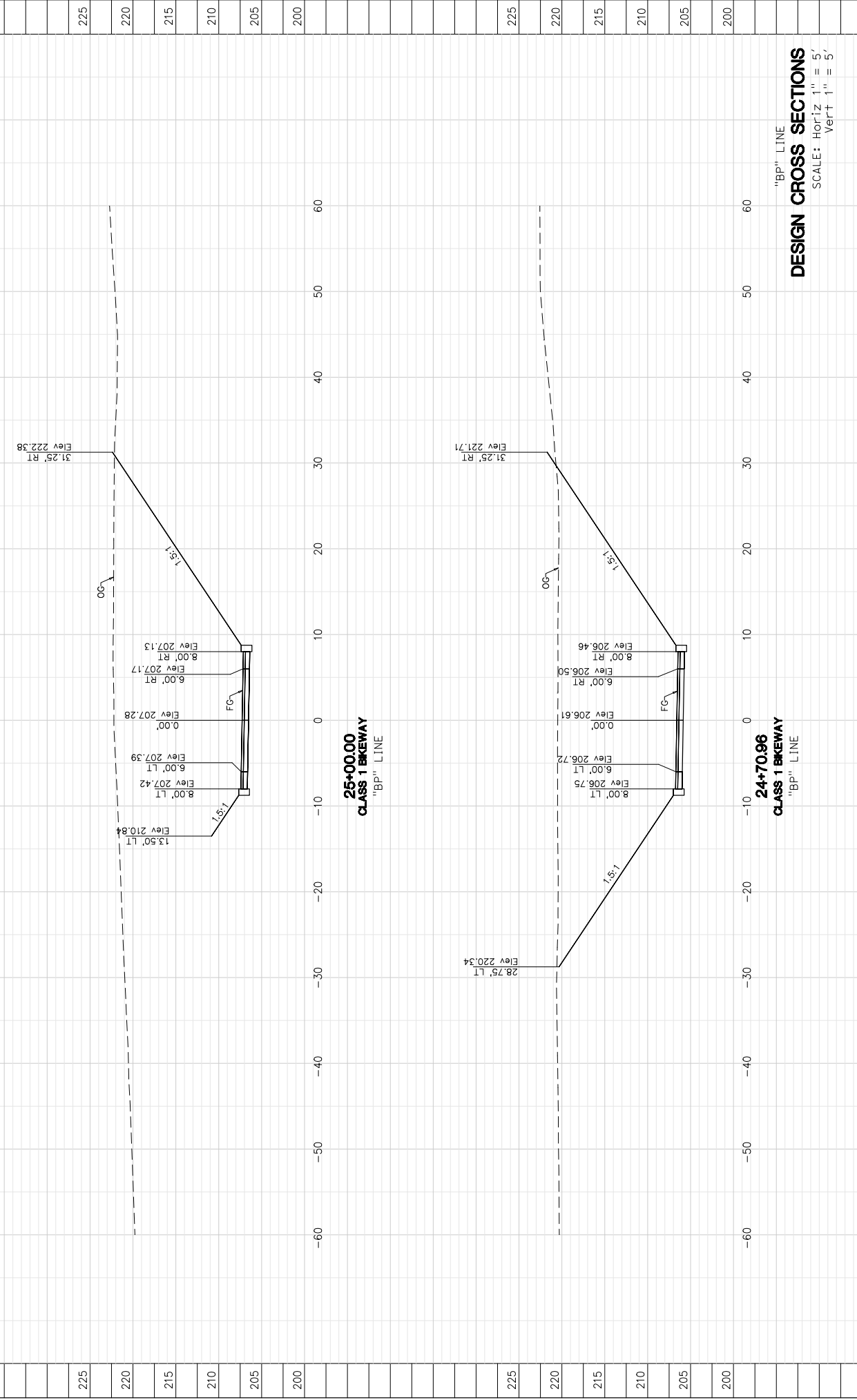
**DESIGN CROSS SECTIONS**  
"BP" LINE  
SCALE: Horiz 1" = 5'  
Vert 1" = 5'

Dist	County	Route	Post Miles	SHEET TOTAL
04	SCL	101	R28.4/R28.9	PROJECT SHEETS
				28
				54



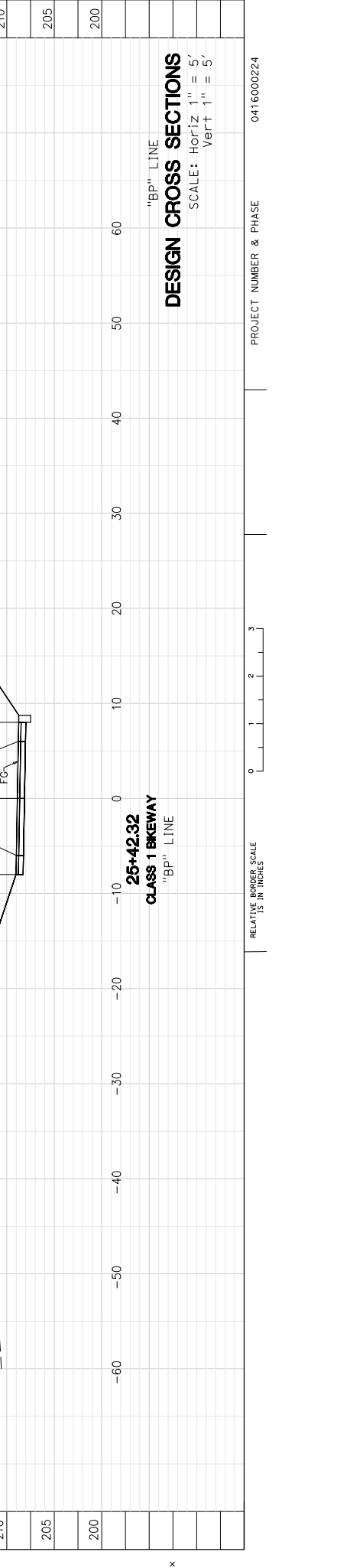
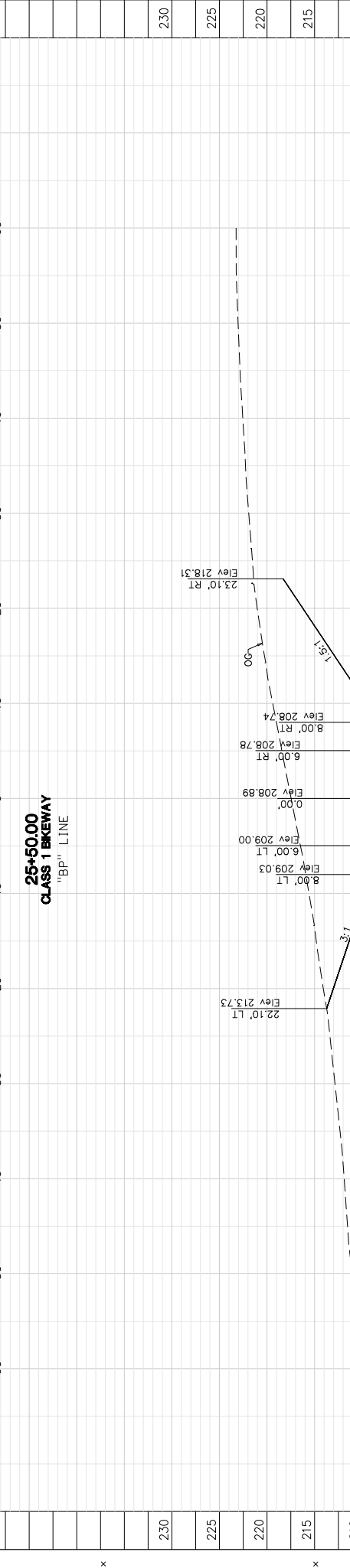
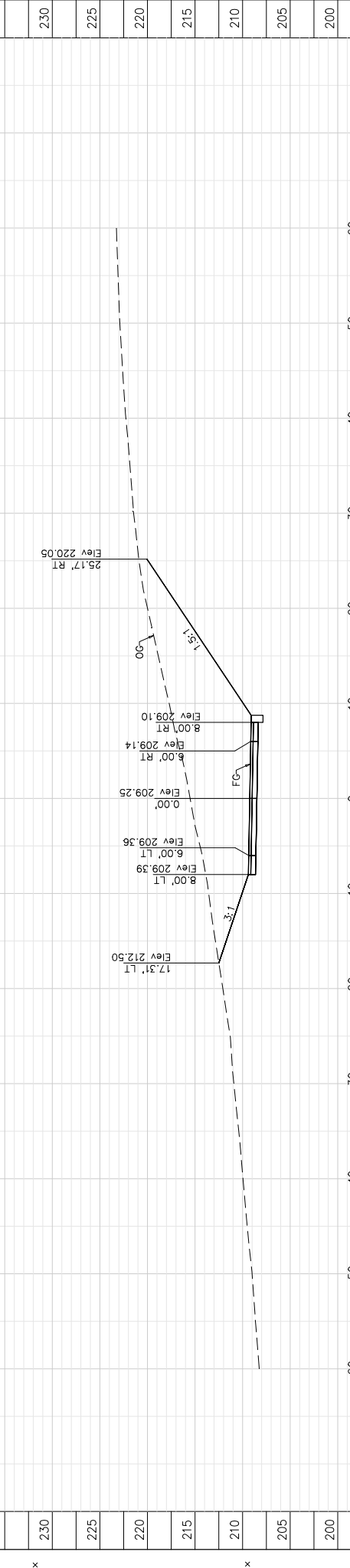
"BP" LINE  
SCALE: Horiz 1" = 5'  
Vert 1" = 5'

Dist	County	Route	Post Miles	SHEET TOTAL
04	SCL	101	R28.4/R28.9	NO. SHEETS
				29
				54

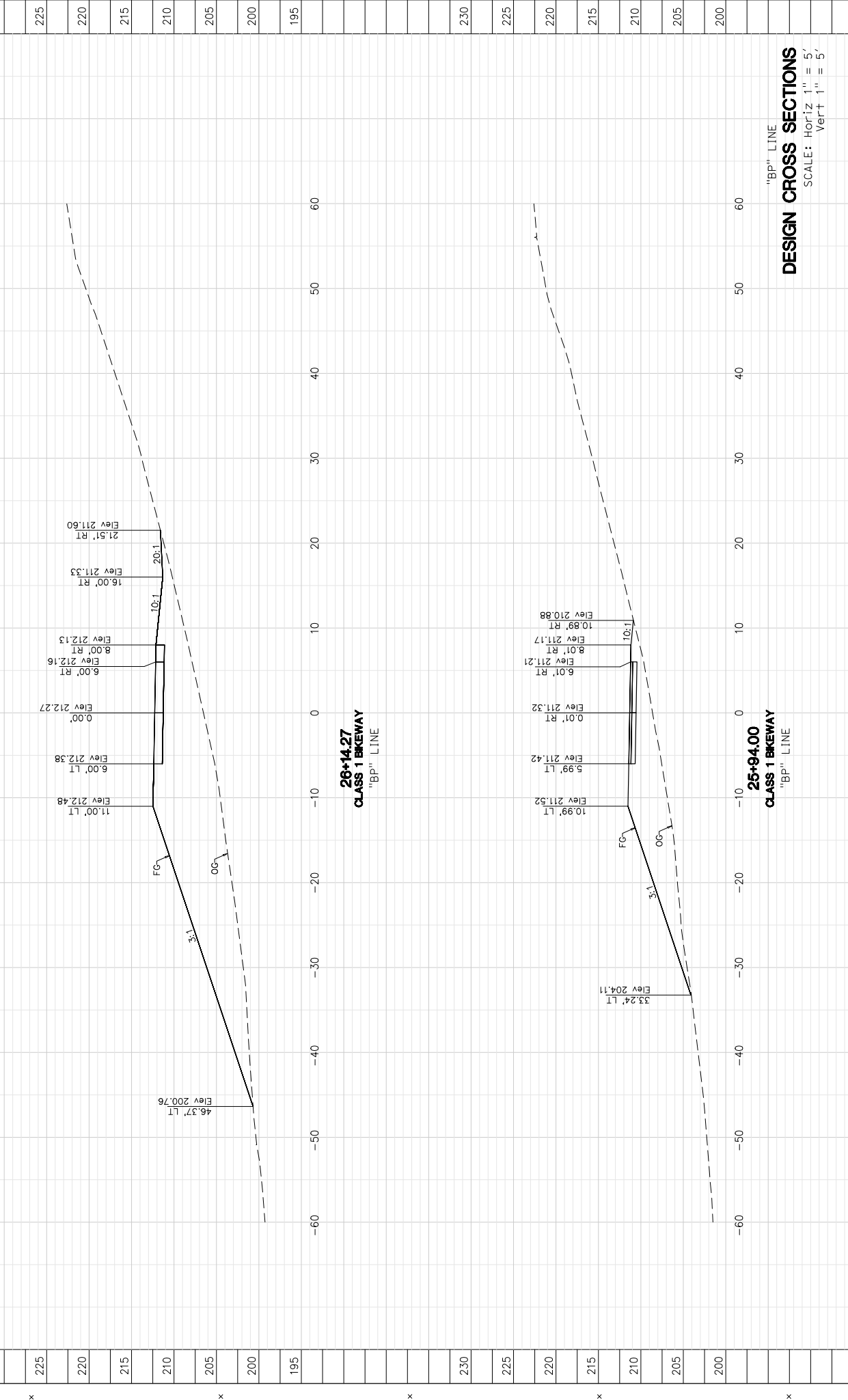


**DESIGN CROSS SECTIONS**  
"Bp" LINE  
SCALE: Horiz 1" = 5'  
Vert 1" = 5'

Dist	County	Route	Post Miles Total Project	Sheet No.	Total Sheets
04	SCL	101	R28.4/R28.9	30	54

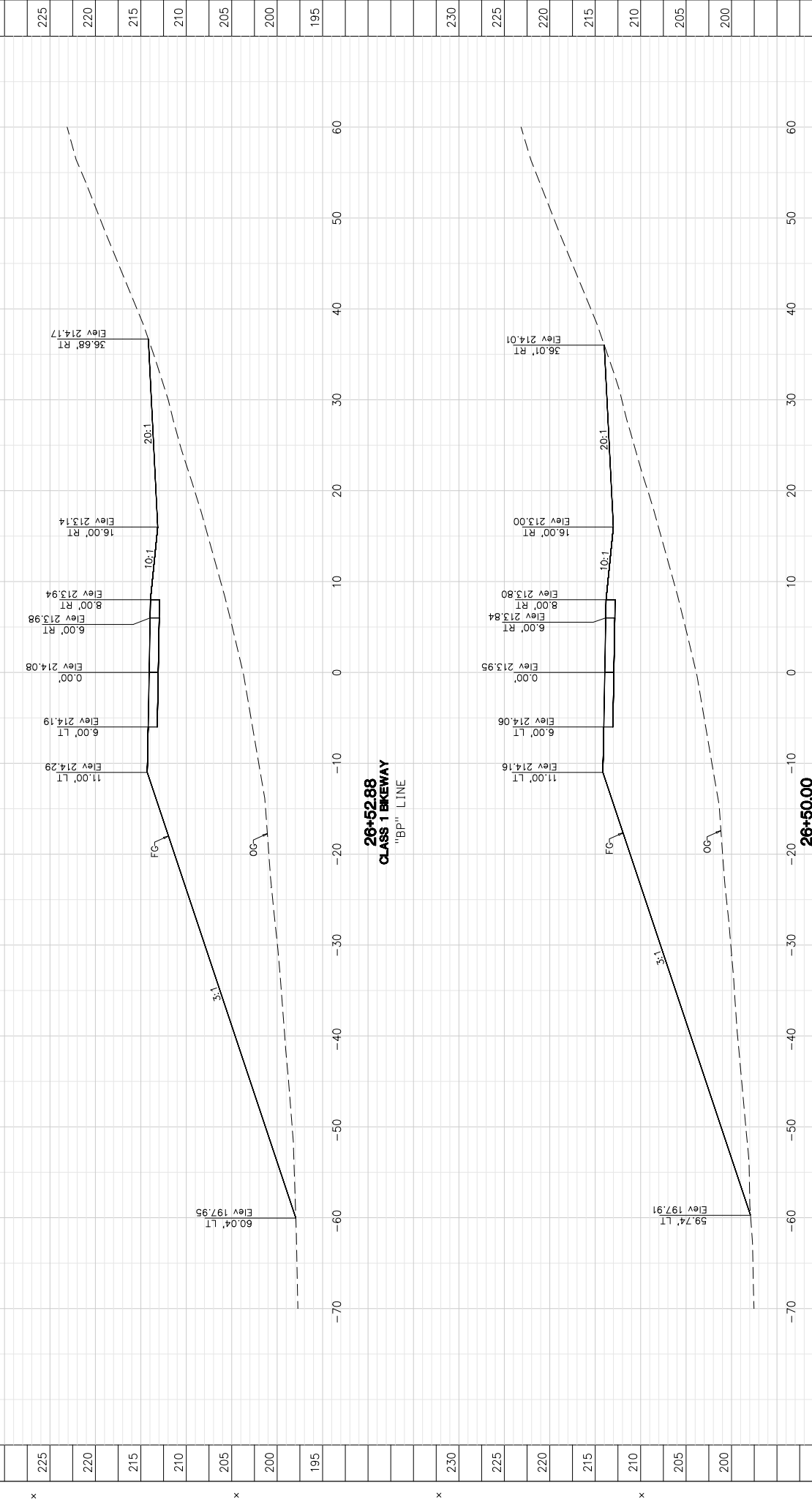


Dist	County	Route	Post Miles	SHEET	TOTAL
04	SCL	101	R28.4/R28.9	31	54



**DESIGN CROSS SECTIONS**  
 "Bp" LINE  
 SCALE: Horiz 1" = 5'  
 Vert 1" = 5'

Dist	County	Route	Post Miles	SHEET TOTAL
04	SCL	101	R28.4/R28.9	NO. SHEETS
				32
				54



**DESIGN CROSS SECTIONS**  
 "BP" LINE  
 SCALE: Horiz 1" = 5'  
 Vert 1" = 5'

PROJECT NUMBER & PHASE

3

2

1

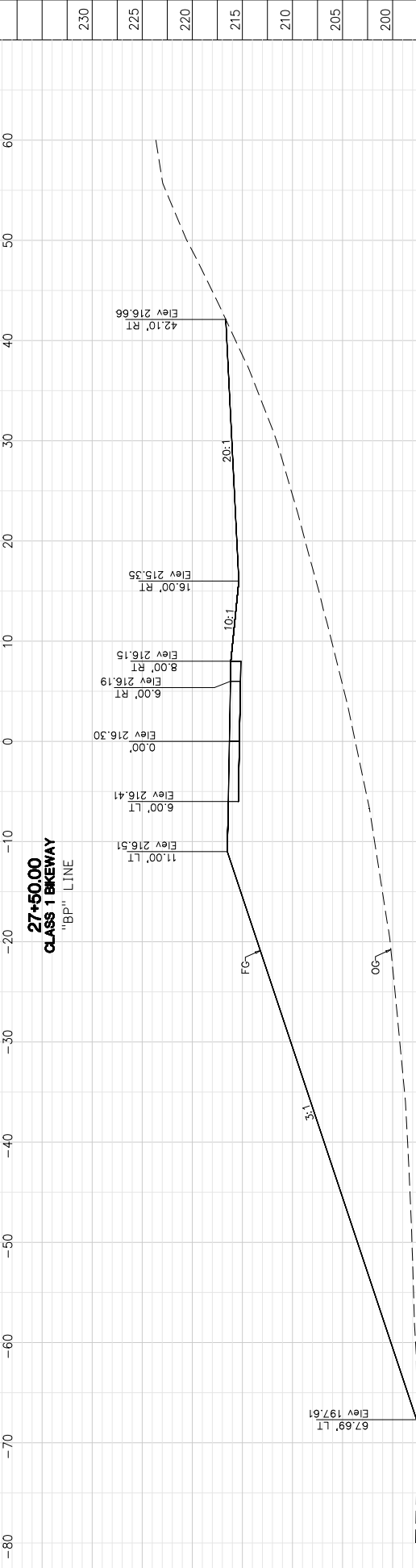
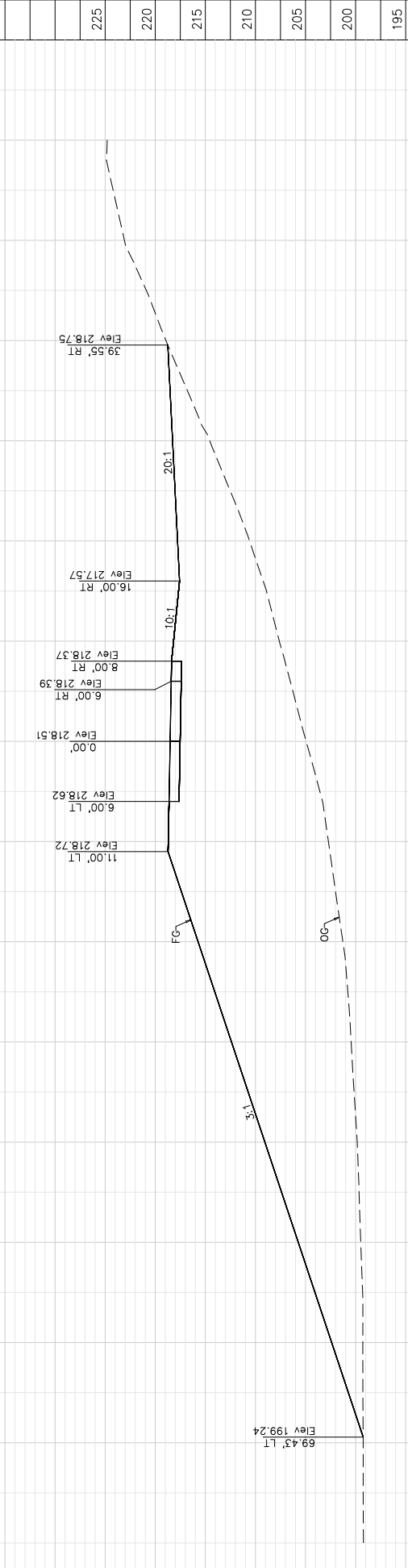
0

RELATIVE BORDER SCALE IS IN INCHES

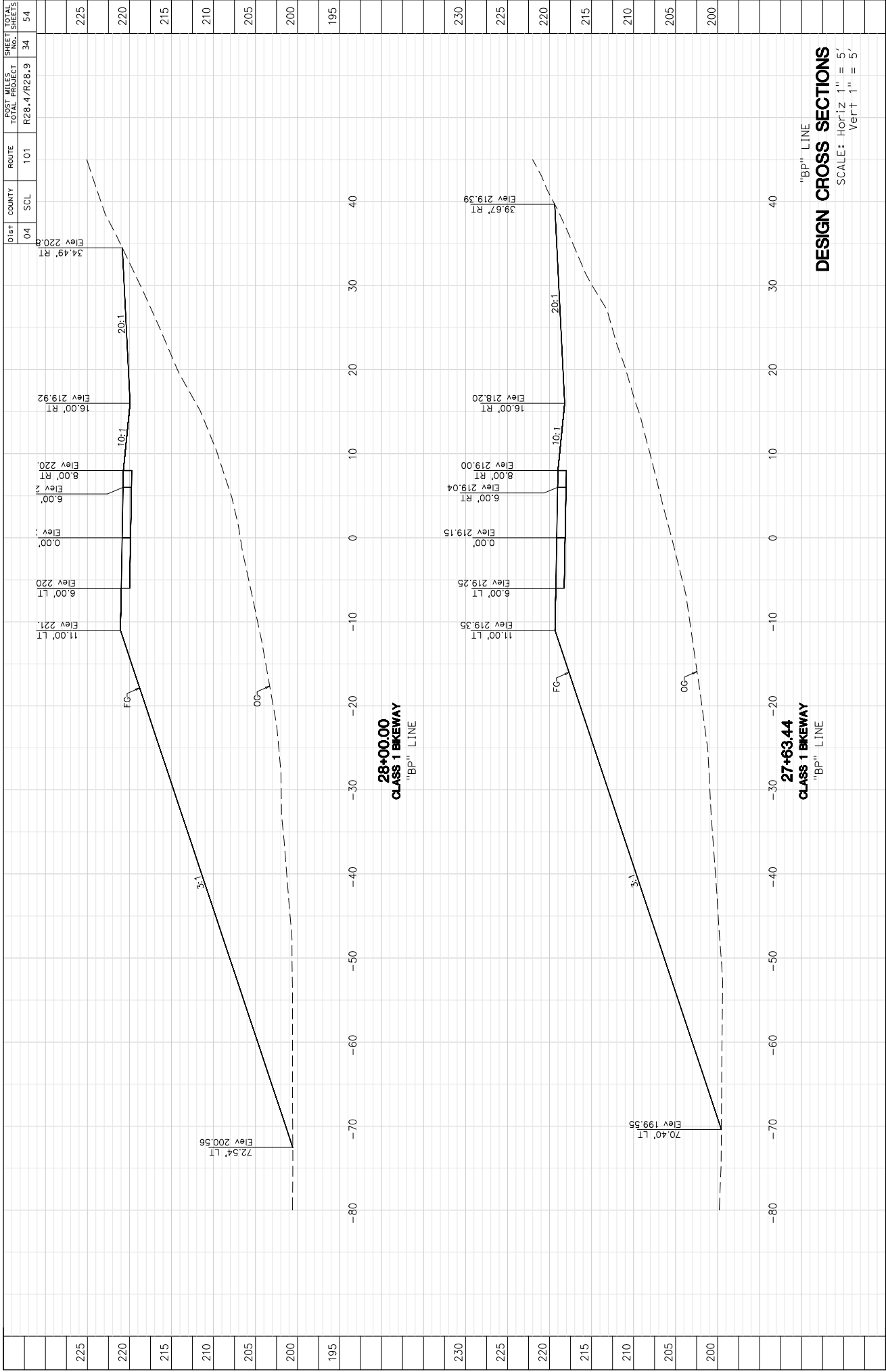
0416000224



Dist	County	Route	Post Miles	SHEET TOTAL
04	SCL	101	R28.4/R28.9	PROJECT NO. SHEETS
				33 54



**DESIGN CROSS SECTIONS**  
 "BP" LINE  
 SCALE: Horiz 1" = 5'  
 Vert 1" = 5'



**DESIGN CROSS SECTIONS**  
 "BP" LINE  
 SCALE: Horiz 1" = 5'  
 Vert 1" = 5'

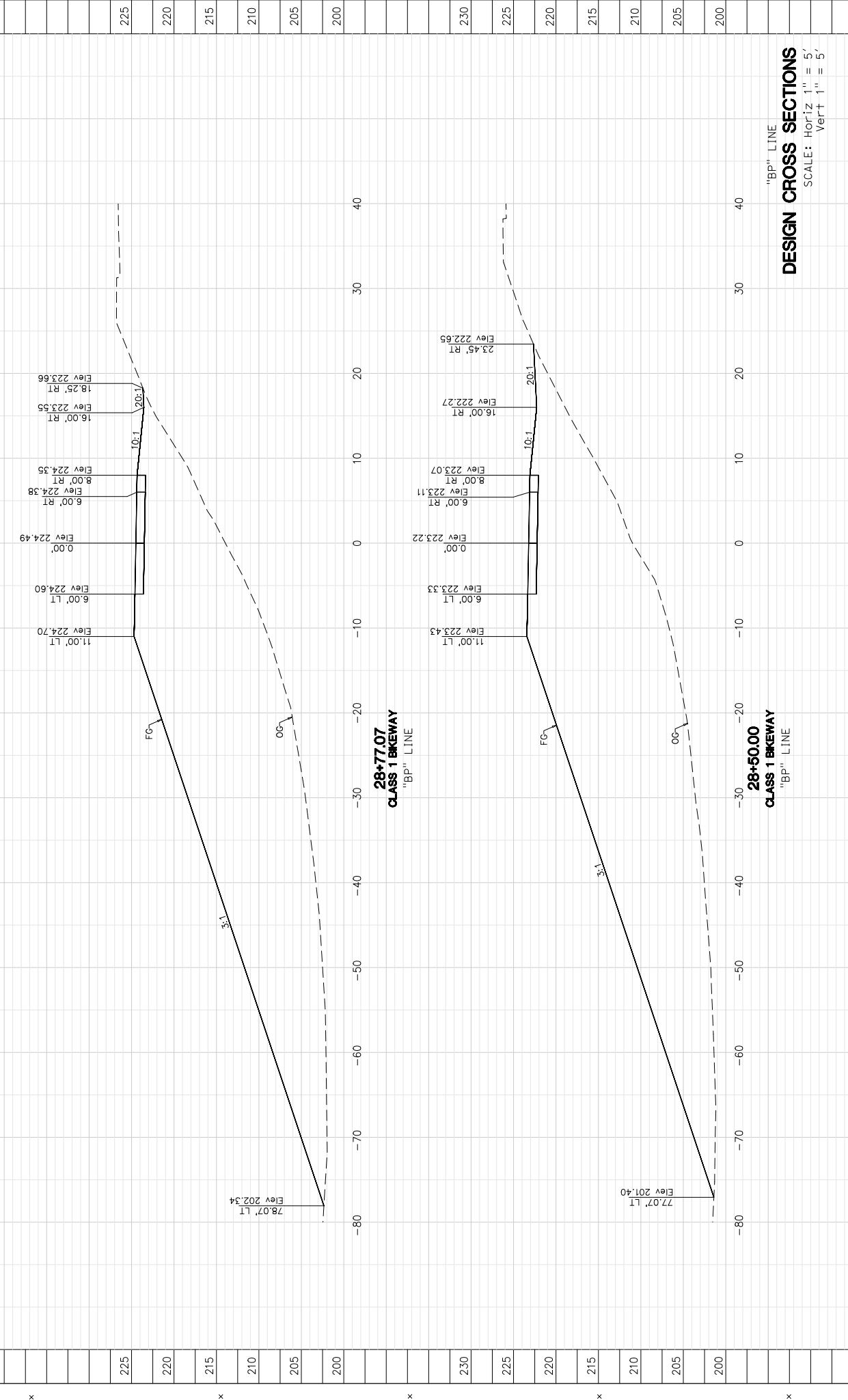
Dist	County	Route	Post Miles	SHEET TOTAL
04	SCL	101	R28.4/R28.9	SHEET NO. 34
				TOTAL SHEETS 54

PROJECT NUMBER & PHASE  
 0416000224

RELATIVE BORDER SCALE  
 IS IN INCHES

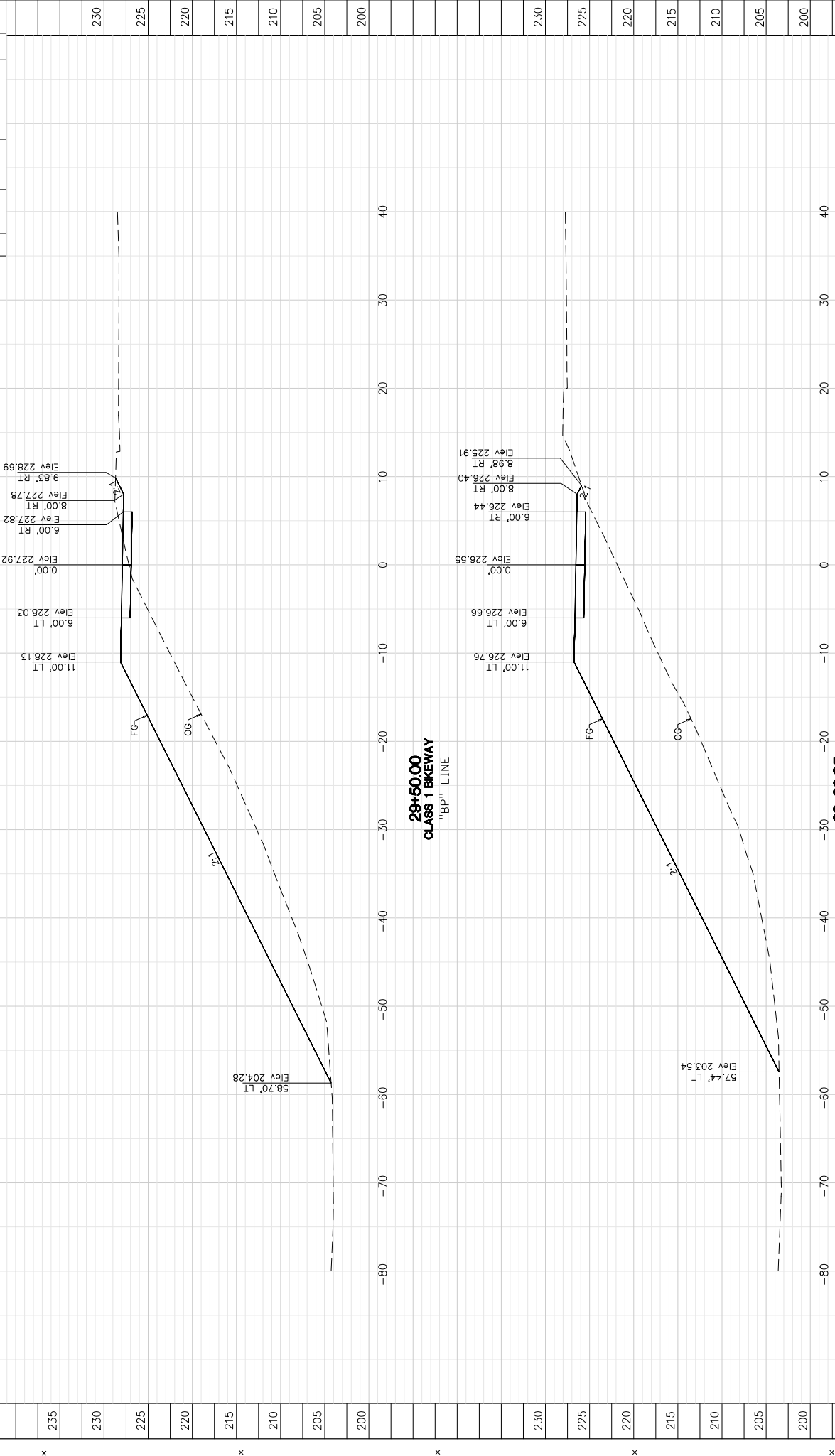


Dist	County	Route	Post Miles	SHEET TOTAL
04	SCL	101	R28.4/R28.9	SHEETS
				35
				54



**DESIGN CROSS SECTIONS**  
 "BP" LINE  
 SCALE: Horiz 1" = 5'  
 Vert 1" = 5'

Dist	County	Route	Post Miles	SHEET TOTAL
04	SCL	101	R28.4/R28.9	NO. SHEETS
				36
				54



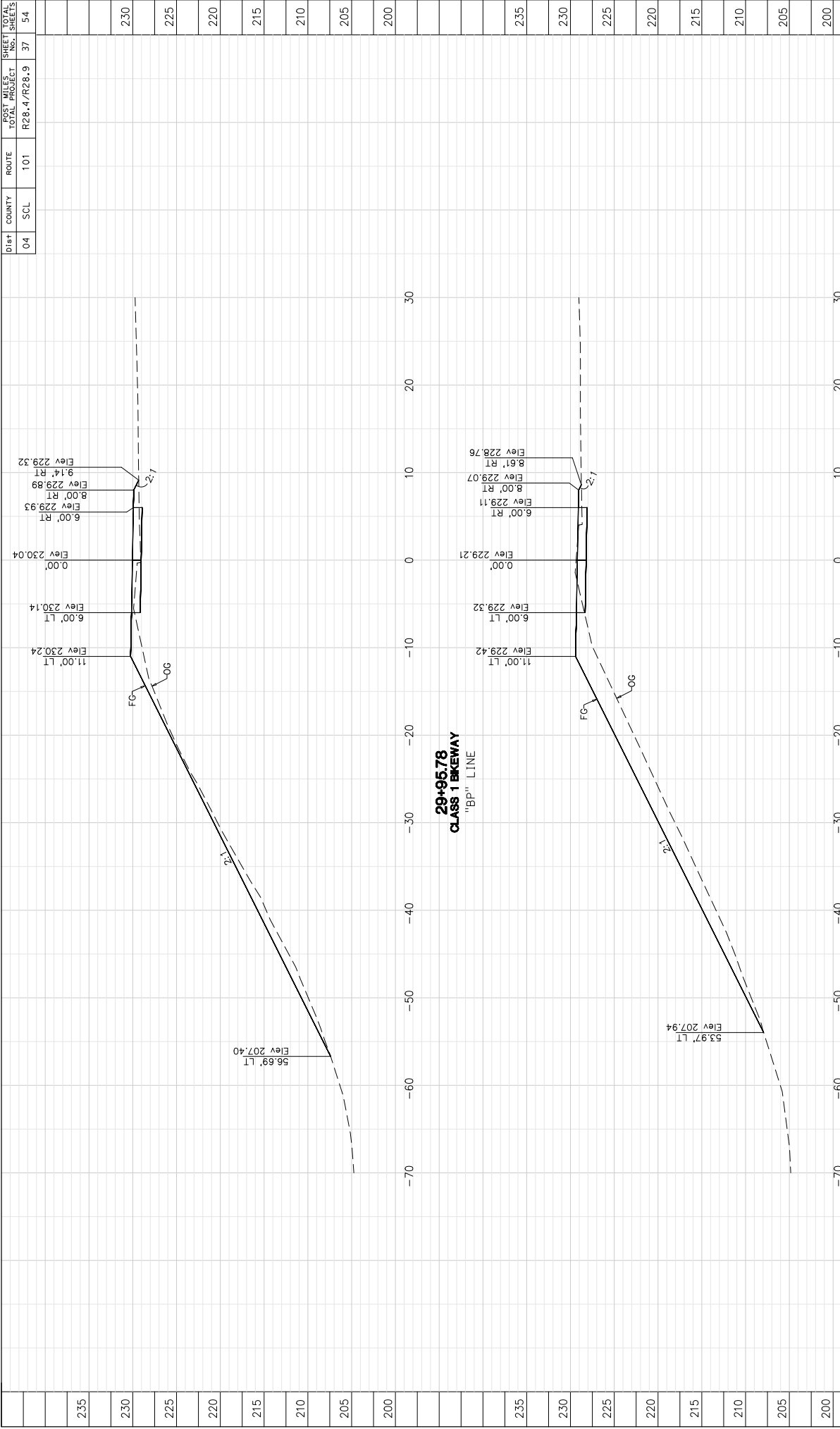
**DESIGN CROSS SECTIONS**

SCALE: Horiz 1" = 5'

PROJECT NUMBER & PHASE

Ver: 04/16/2023

Dist	County	Route	Post Miles Total Project	Sheet No.	Total Sheets
04	SCL	101	R28.4/R28.9	37	54

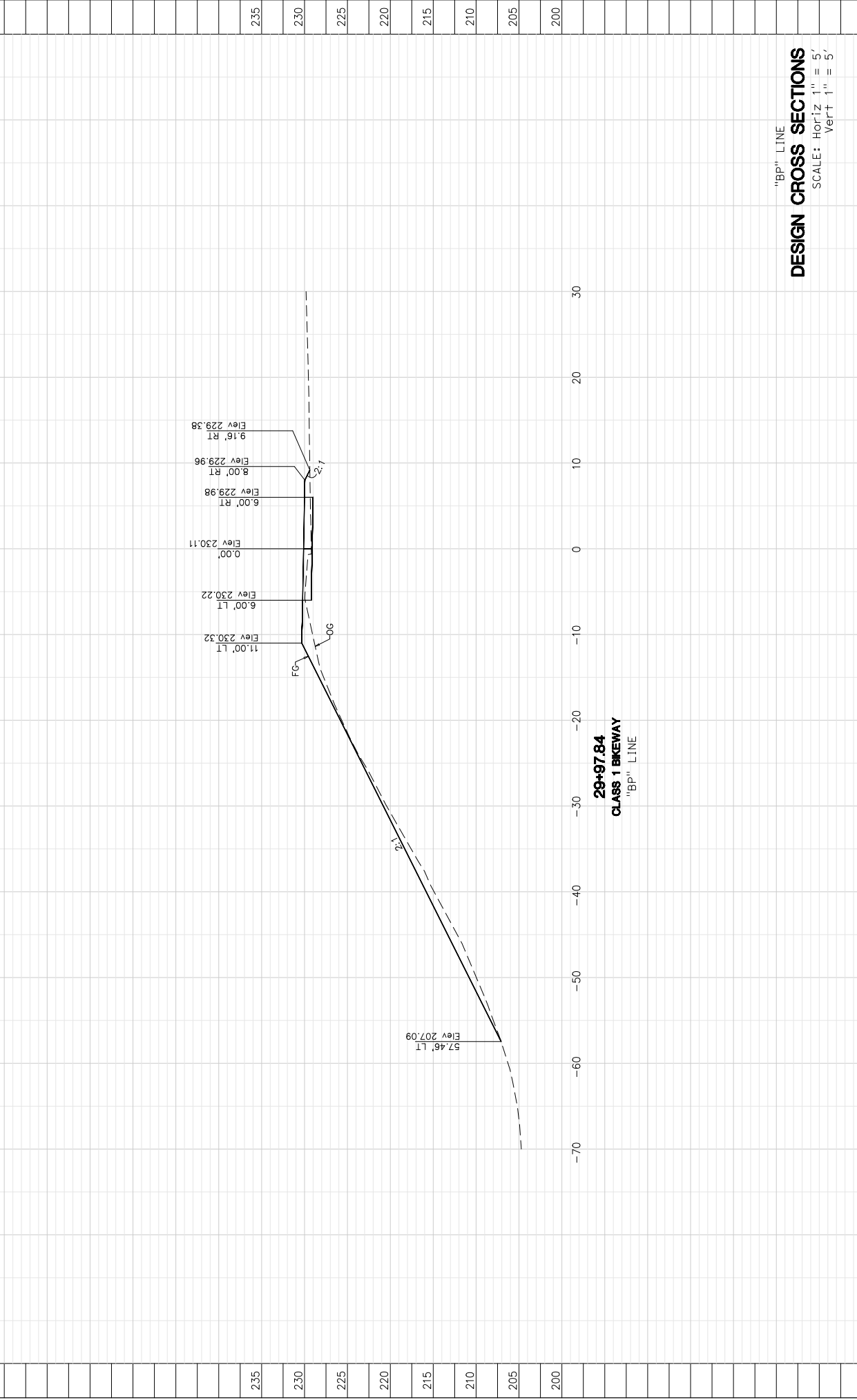


**DESIGN CROSS SECTIONS**  
 "Bp" LINE  
 SCALE: Horiz 1" = 5'  
 Vert 1" = 5'

PROJECT NUMBER & PHASE 0416000224

RELATIVE BORDER SCALE IS IN INCHES

Dist	County	Route	Post Miles	SHEET TOTAL
04	SCL	101	R28.4/R28.9	NO. SHEETS
				38
				54

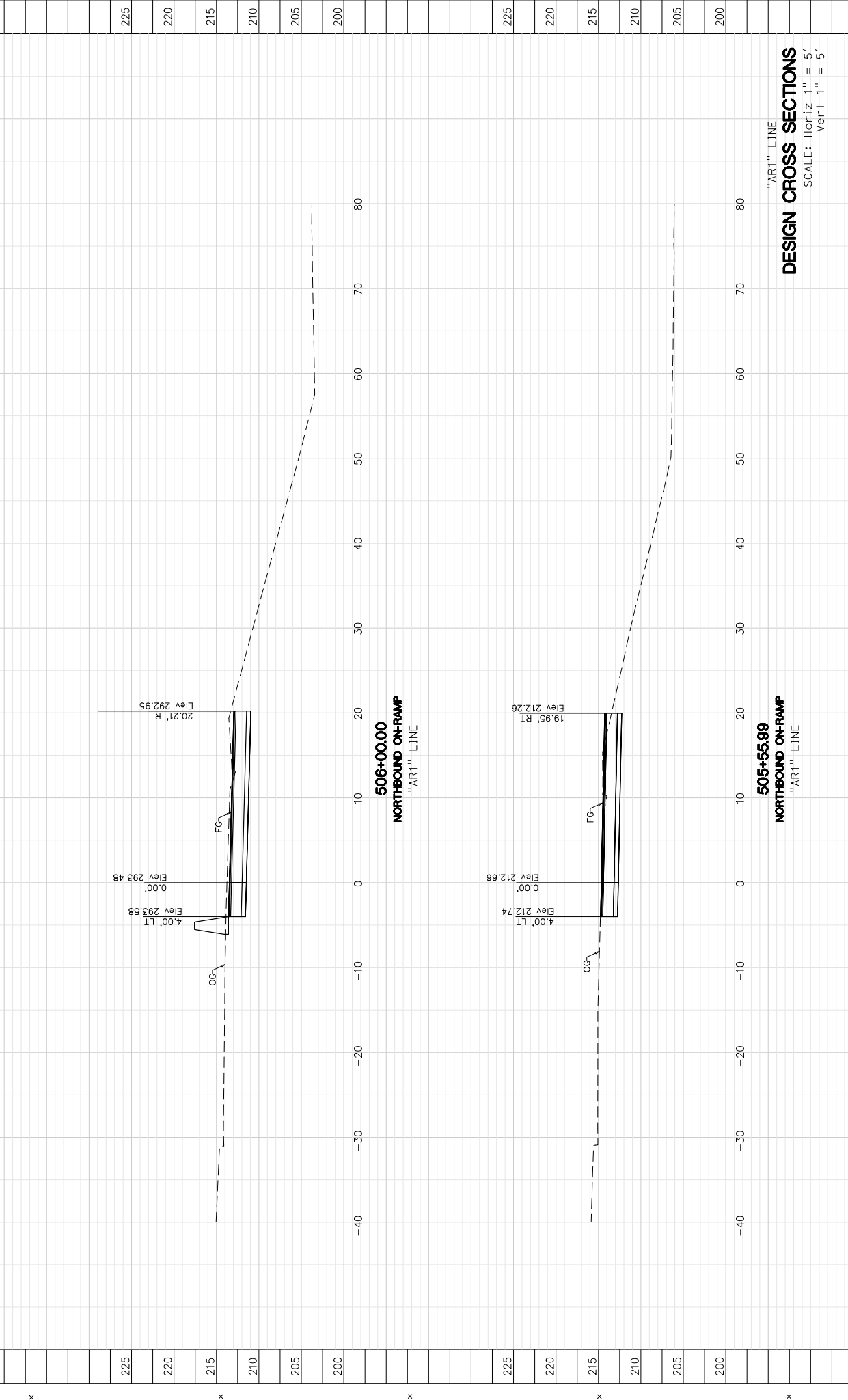


**DESIGN CROSS SECTIONS**  
 "BP" LINE  
 SCALE: Horiz 1" = 5'  
 Vert 1" = 5'

RELATIVE BORDER SCALE IS IN INCHES

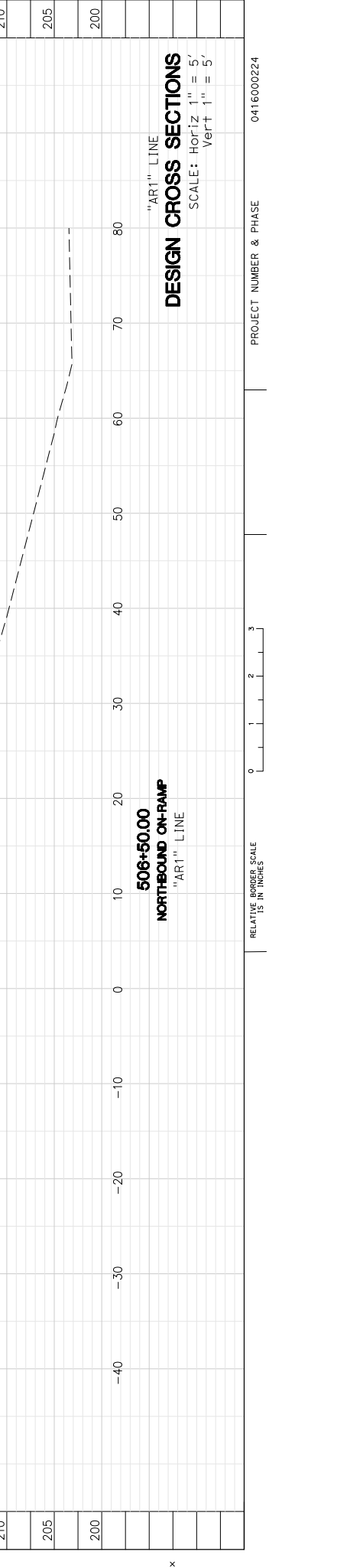
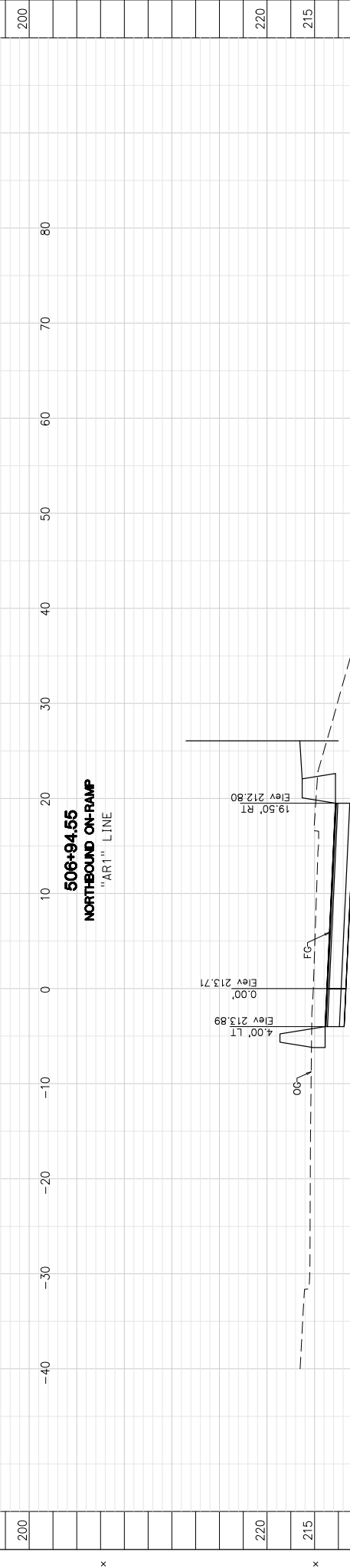
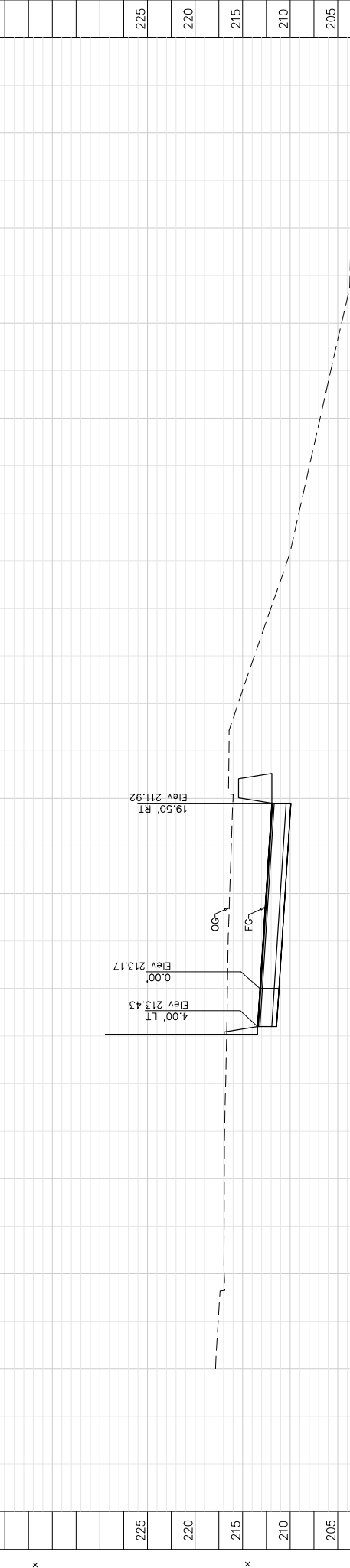
0 1 2 3

Dist	County	Route	Post Miles Total Project	Sheet No.	Total Sheets
04	SCL	101	R28.4/R28.9	39	54



"ART" LINE  
**DESIGN CROSS SECTIONS**  
SCALE: Horiz 1" = 5'  
Vert 1" = 5'

Dist	County	Route	Post Miles	SHEET TOTAL
04	SCL	101	R28.4/R28.9	PROJECT SHEETS
				40
				54



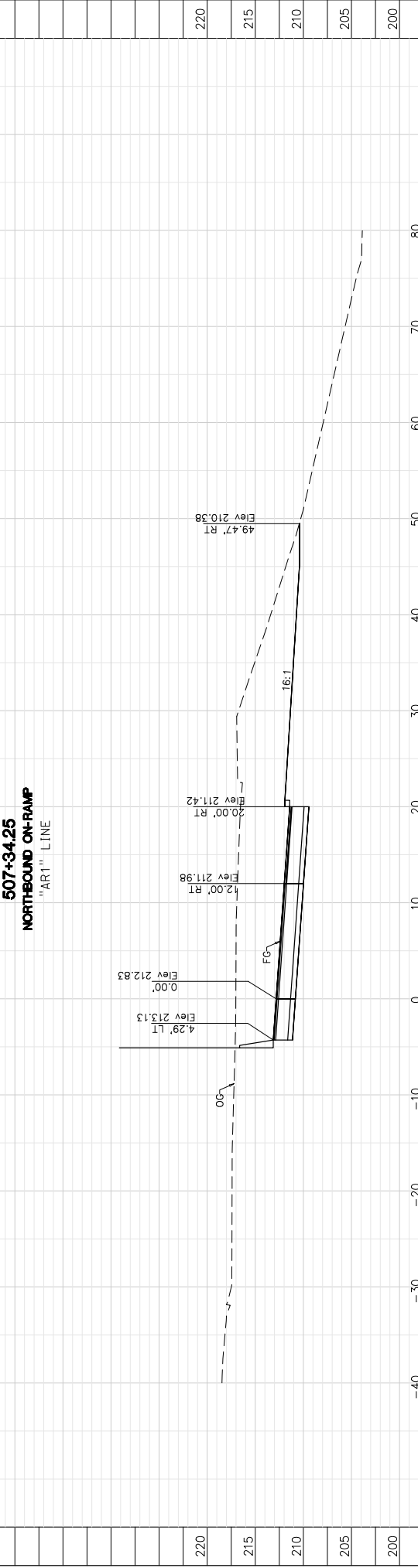
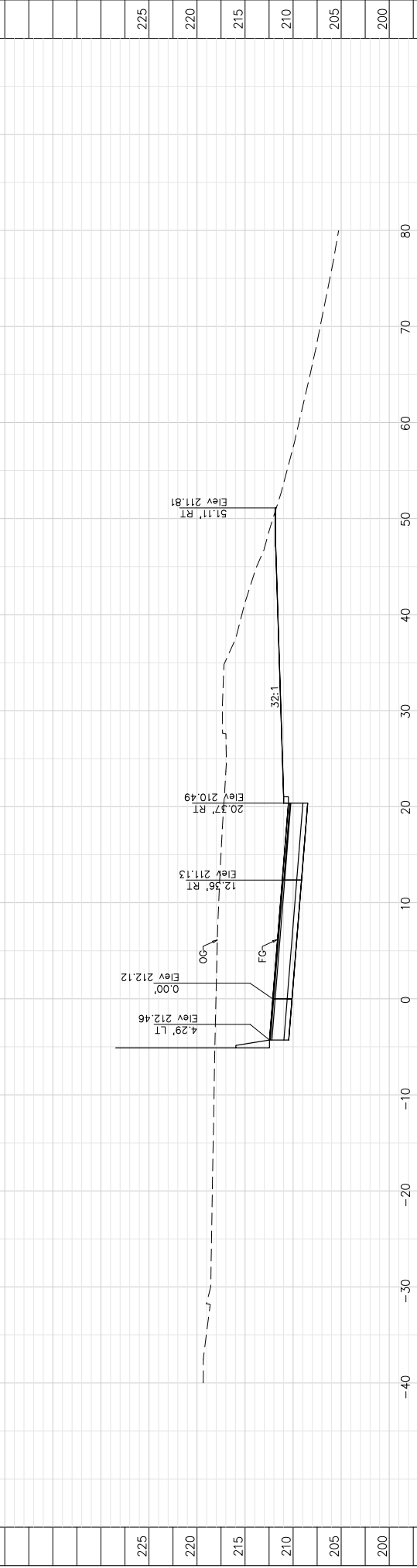
RELATIVE BORDER SCALE IS IN INCHES

PROJECT NUMBER & PHASE

0416000224

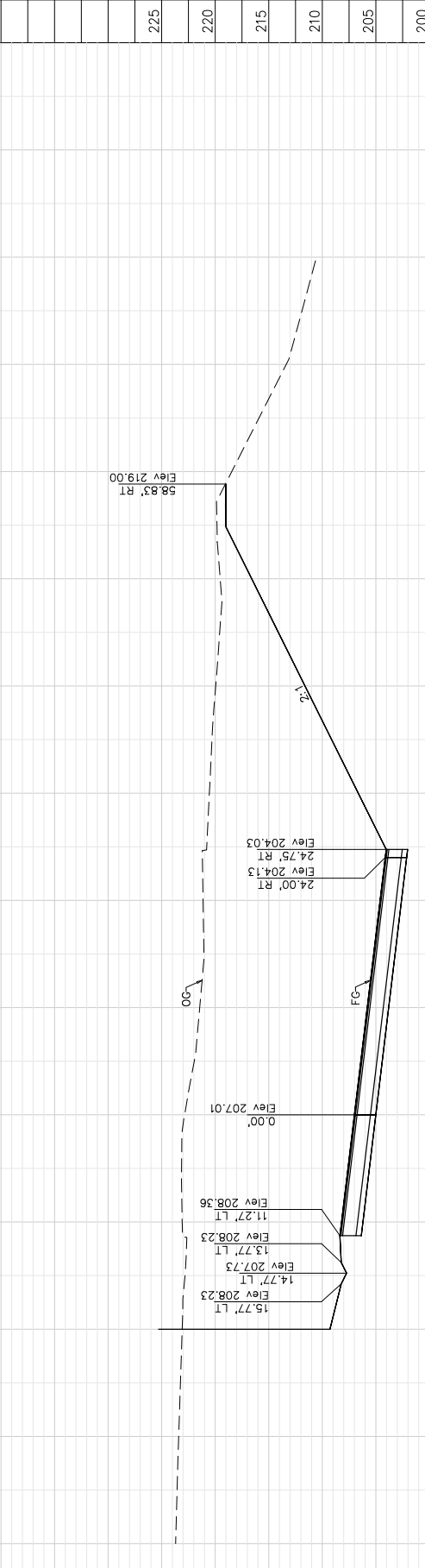


Dist	County	Route	Post Miles	SHEET TOTAL
04	SCL	101	R28.4/R28.9	PROJECT SHEETS
				41
				54

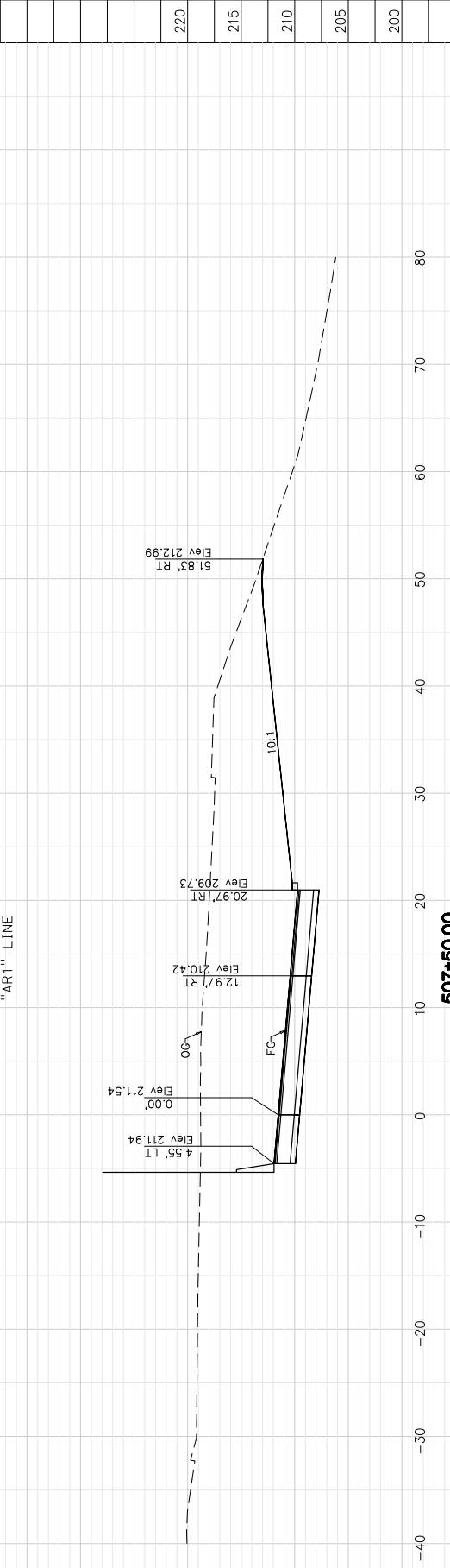


"ART" LINE  
**DESIGN CROSS SECTIONS**  
SCALE: Horiz 1" = 5'  
Vert 1" = 5'

Dist	County	Route	Post Miles	SHEET TOTAL
04	SCL	101	R28.4/R28.9	NO. SHEETS
				42
				54



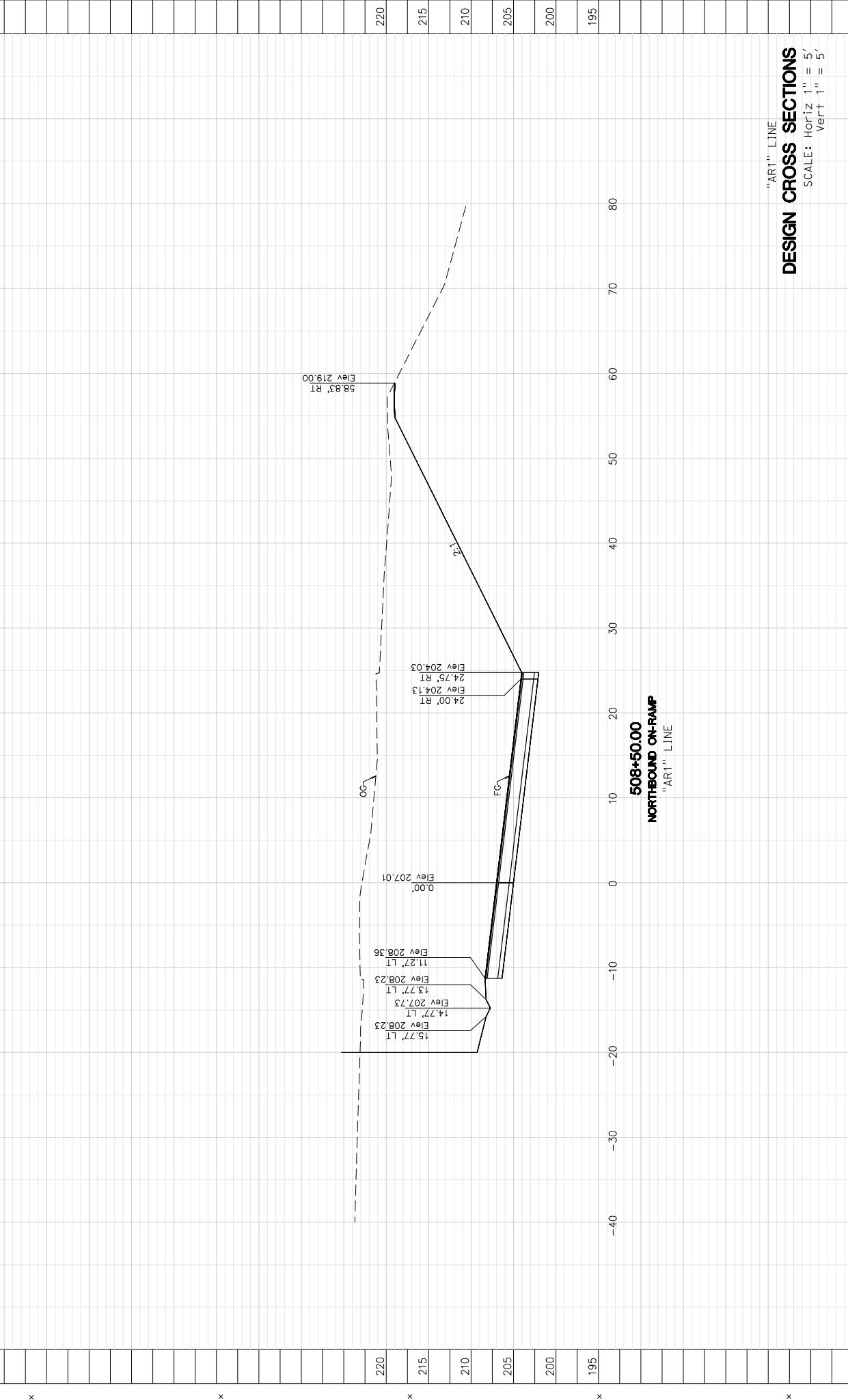
**508+00.00**  
NORTHBOUND ON-RAMP  
"ARI" LINE



**507+50.00**  
NORTHBOUND ON-RAMP  
"ARI" LINE

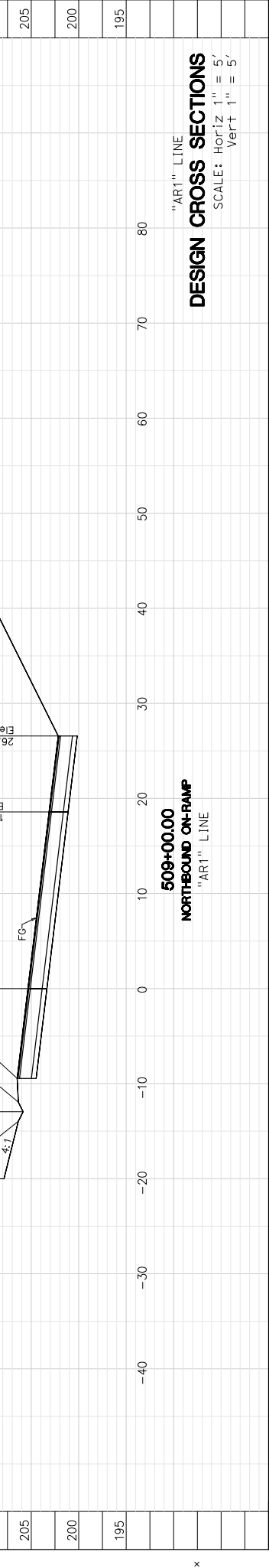
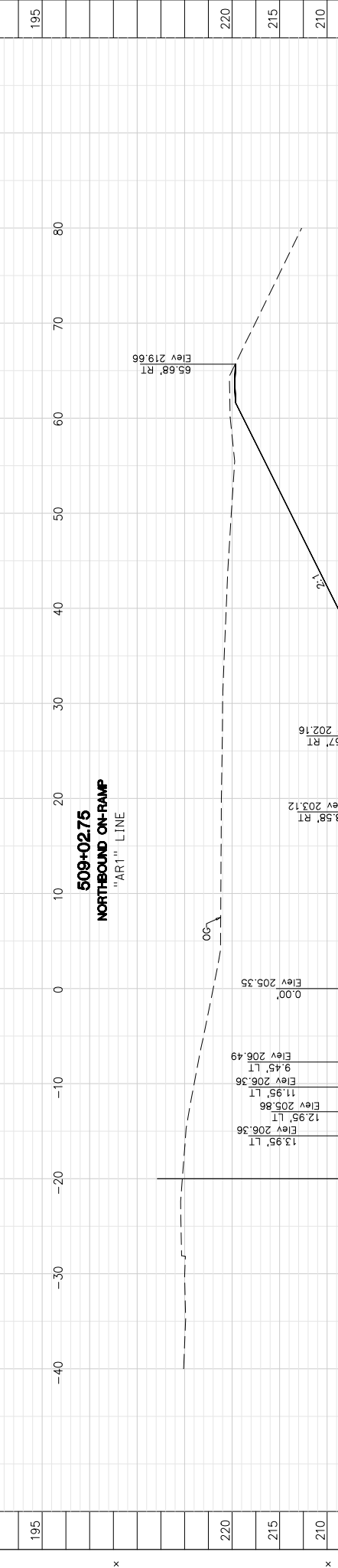
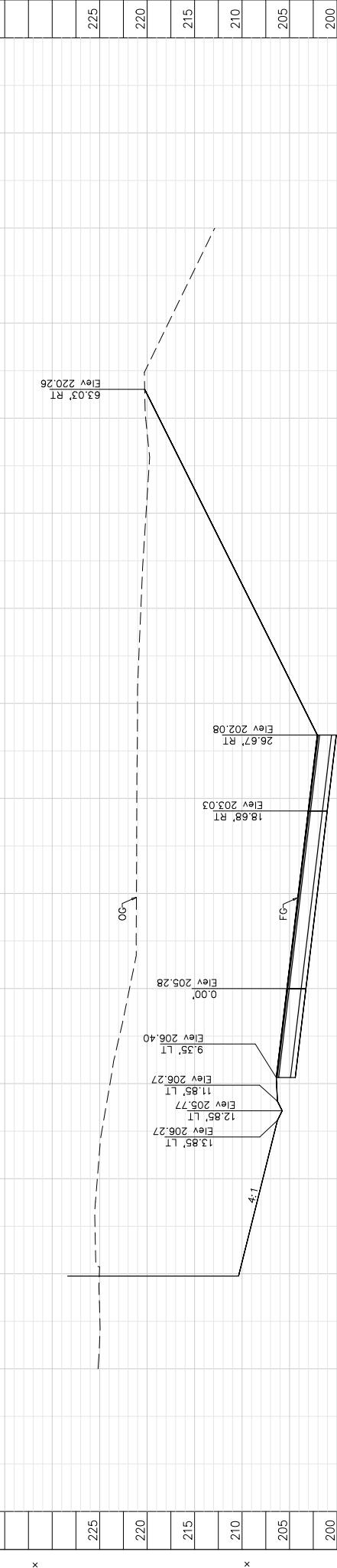
**DESIGN CROSS SECTIONS**  
SCALE: Horiz 1" = 5'  
Vert 1" = 5'

Dist	County	Route	Post Miles	SHEET TOTAL
04	SCL	101	R28.4/R28.9	PROJECT NO. SHEETS
				43 54



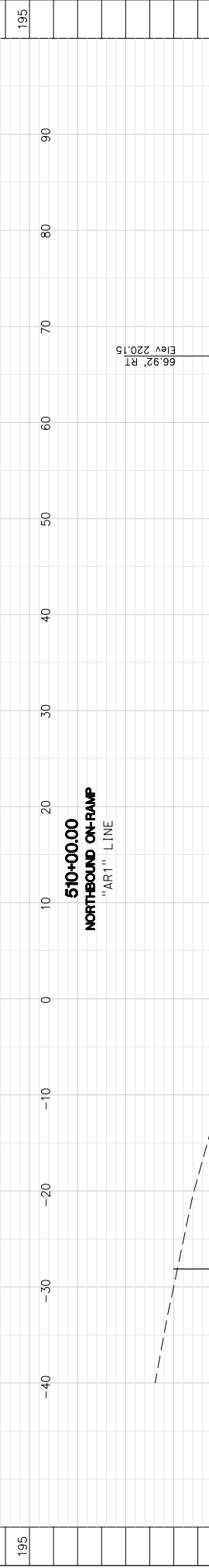
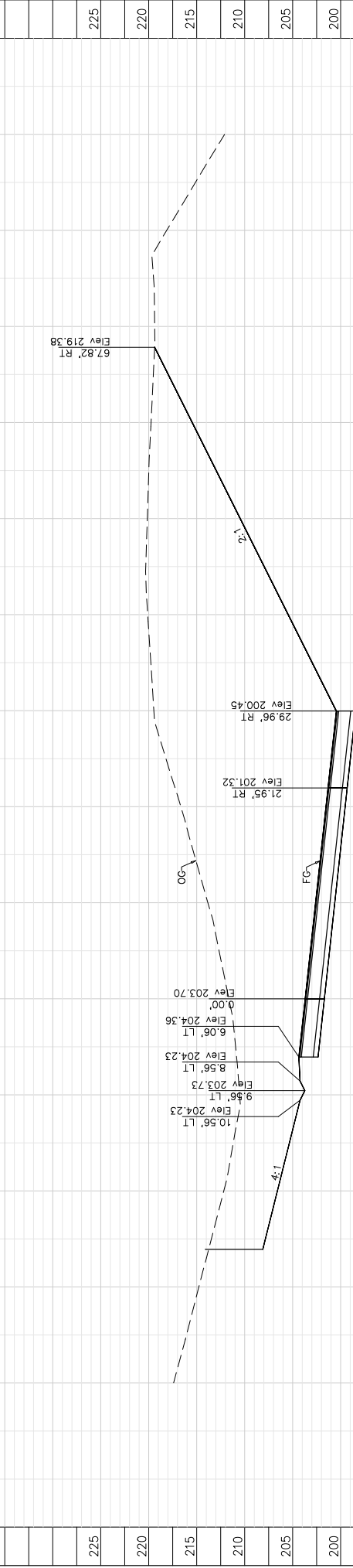
**DESIGN CROSS SECTIONS**  
 "ART" LINE  
 SCALE: Horiz 1" = 5'  
 Vert 1" = 5'

Dist	County	Route	Post Miles	SHEET TOTAL
04	SCL	101	R28.4/R28.9	PROJECT SHEETS
				44
				54



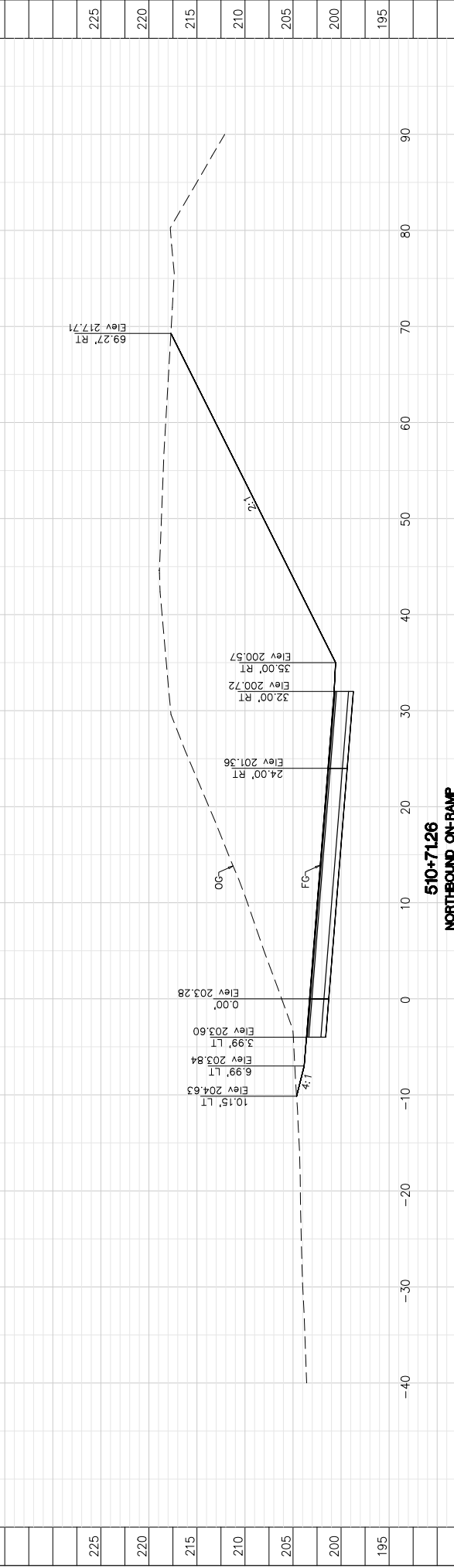
"ARI" LINE  
**DESIGN CROSS SECTIONS**  
SCALE: Horiz 1" = 5'  
Vert 1" = 5'

Dist	County	Route	Post Miles	SHEET TOTAL
04	SCL	101	R28.4/R28.9	PROJECT SHEETS
				45
				54

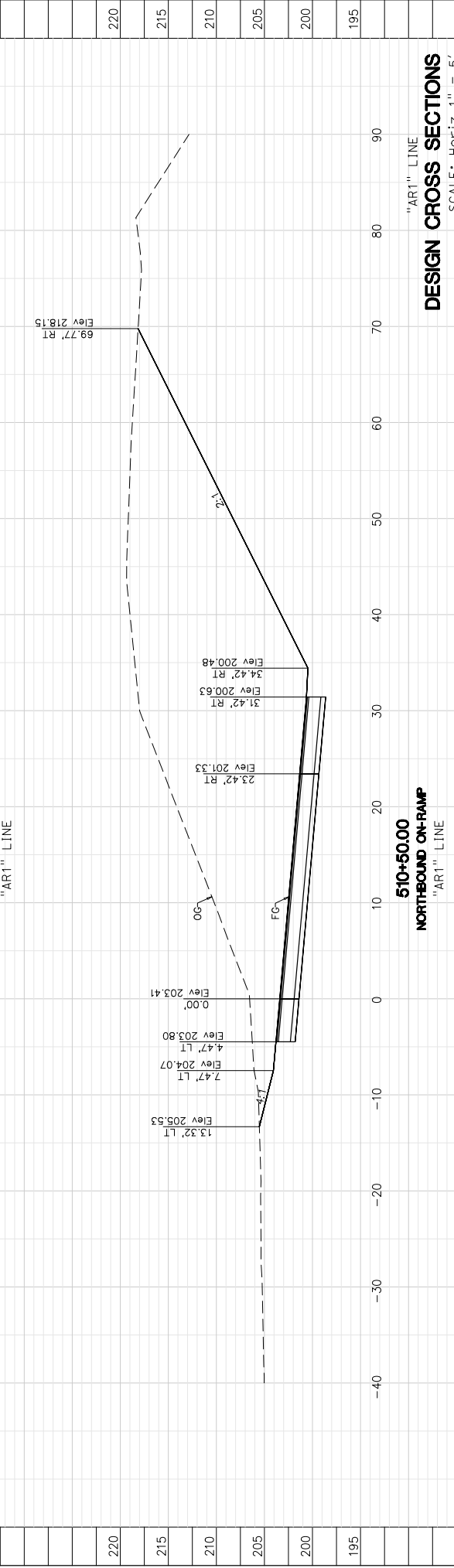


**DESIGN CROSS SECTIONS**  
 "ART1" LINE  
 SCALE: Horiz 1" = 5'  
 Vert 1" = 5'

Dist	County	Route	Post Miles	SHEET TOTAL
04	SCL	101	R28.4/R28.9	NO. SHEETS
				46
				54



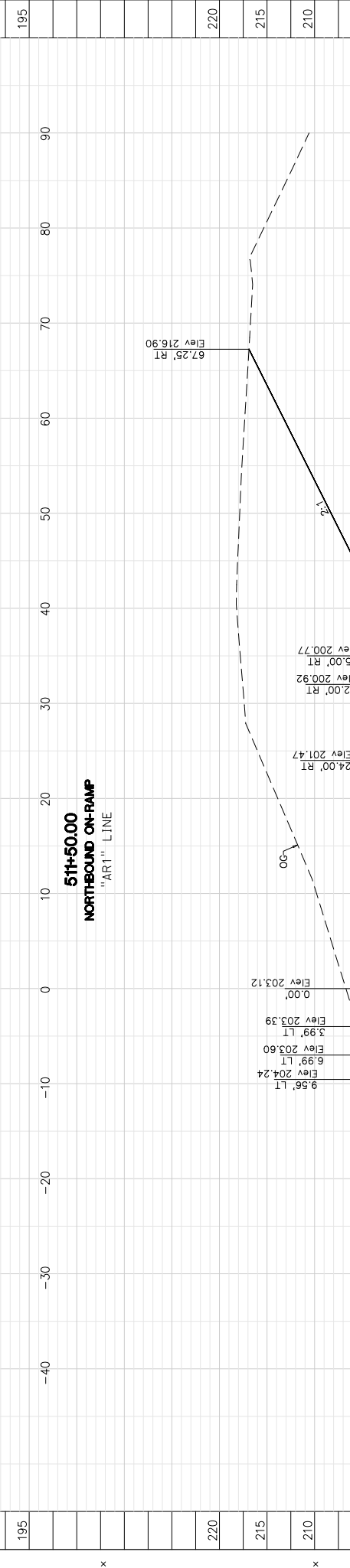
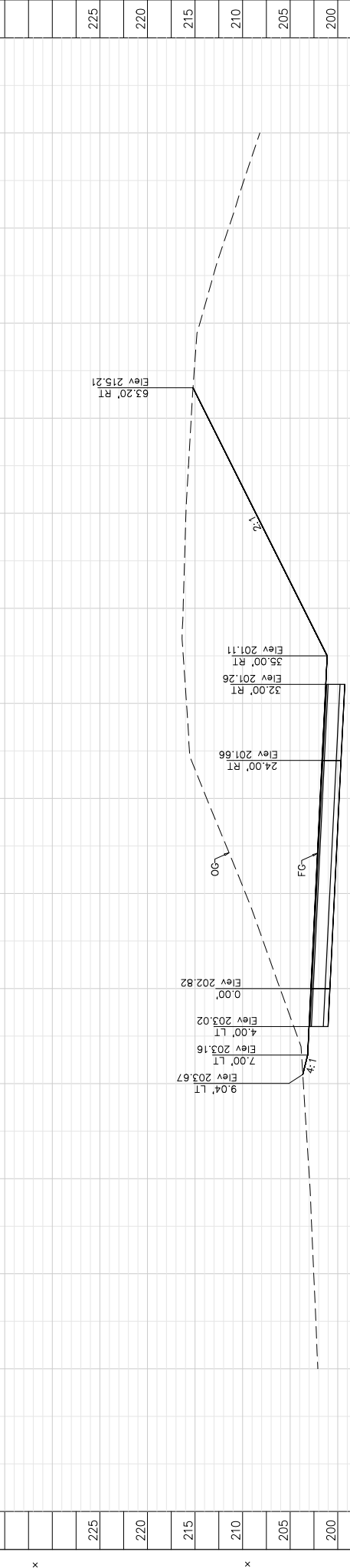
**510+7126**  
NORTHBOUND ON-RAMP  
"ART" LINE



**510+50.00**  
NORTHBOUND ON-RAMP  
"ART" LINE

**DESIGN CROSS SECTIONS**  
"ART" LINE  
SCALE: Horiz 1" = 5'  
Vert 1" = 5'

Dist	County	Route	Post Miles	SHEET TOTAL
04	SCL	101	R28.4/R28.9	PROJECT SHEETS
				47
				54

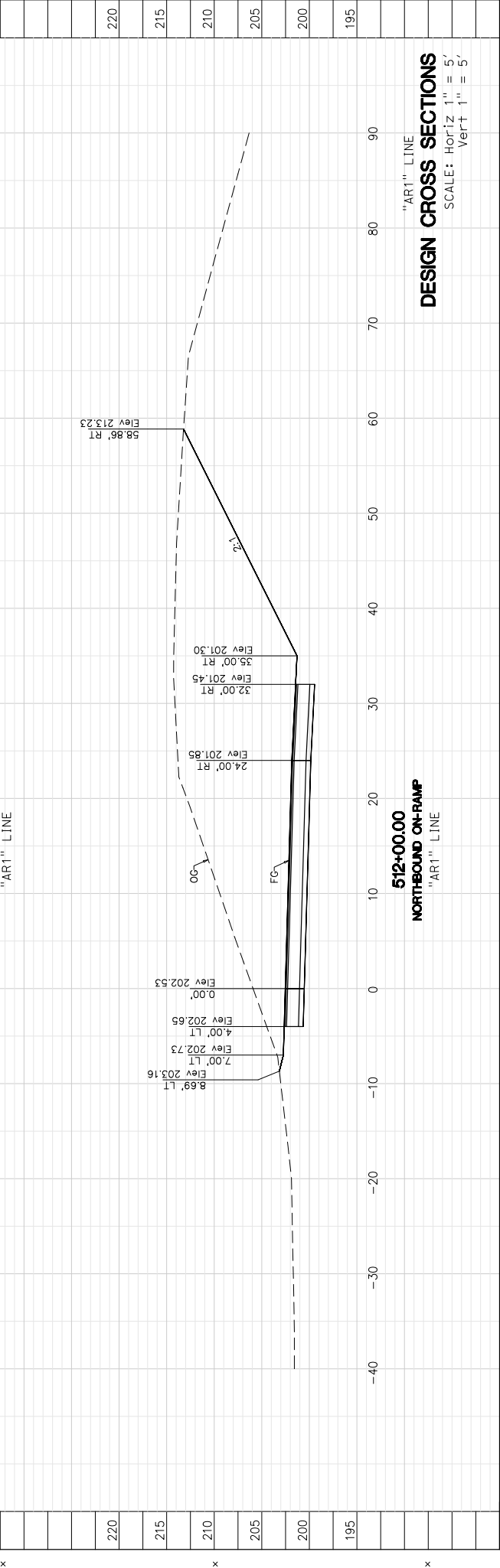
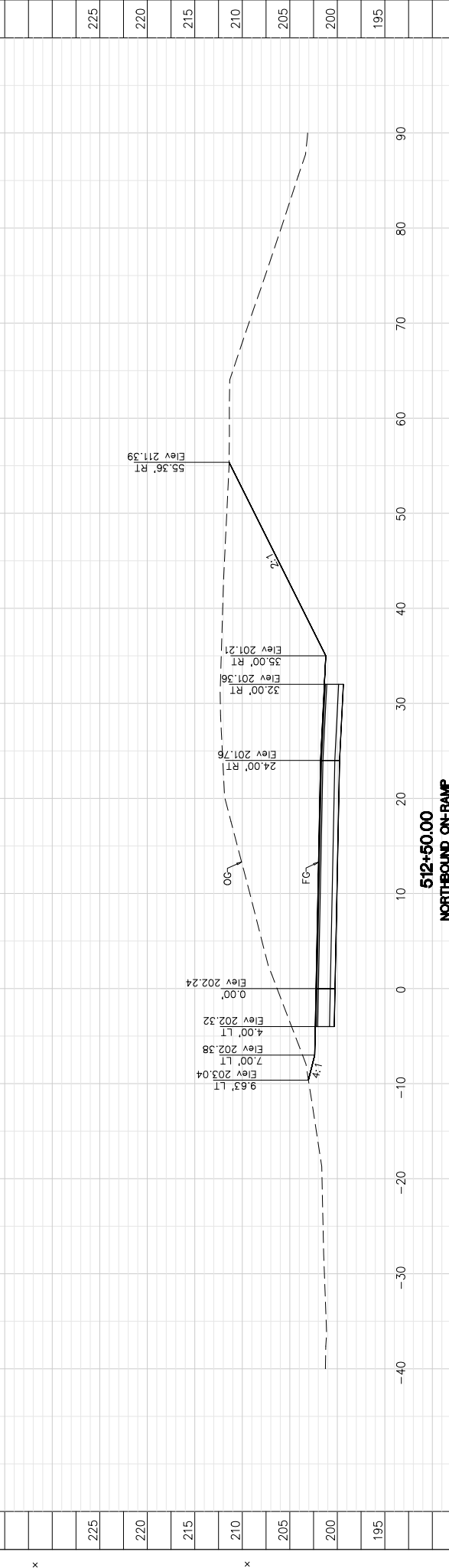


**DESIGN CROSS SECTIONS**  
"ART" LINE  
SCALE: Horiz 1" = 5'  
Vert 1" = 5'

PROJECT NUMBER & PHASE: 0416000224

RELATIVE BORDER SCALE IS IN INCHES

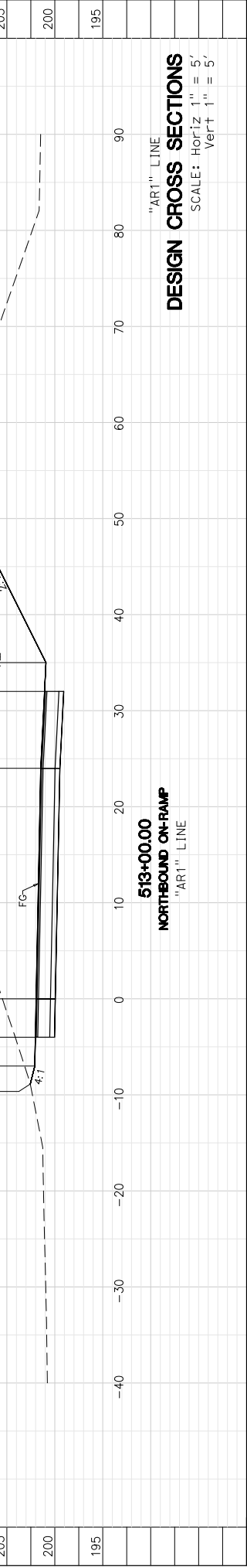
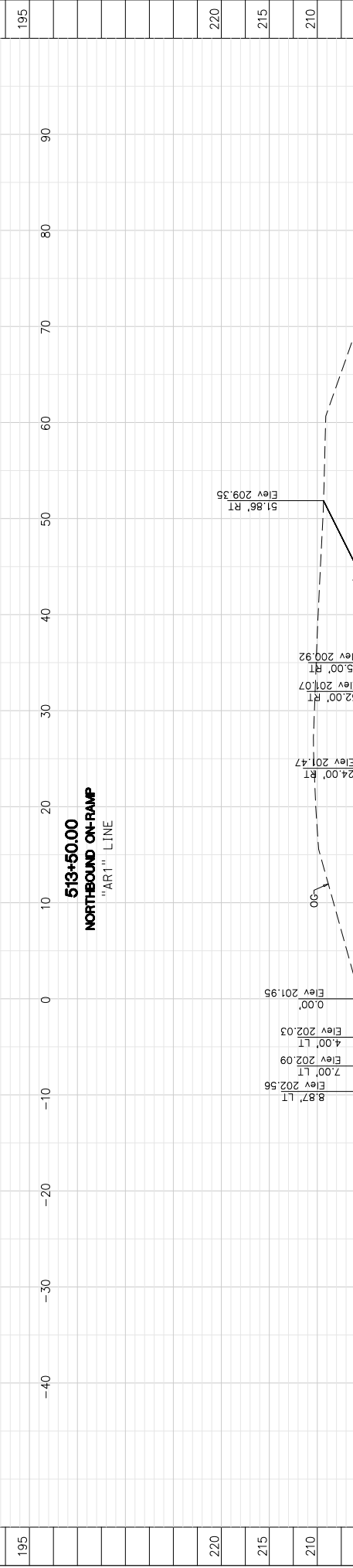
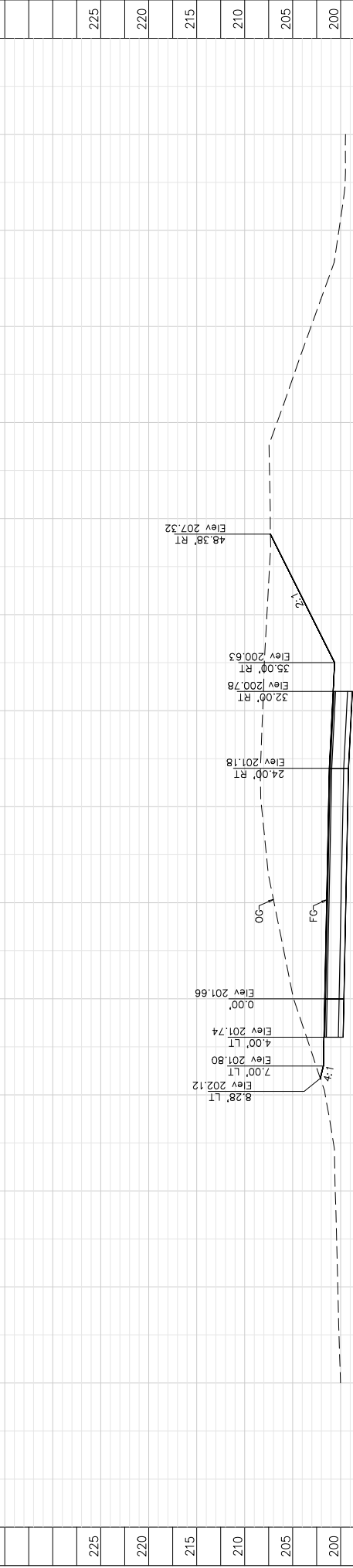
Dist	County	Route	Post Miles	SHEET TOTAL
04	SCL	101	R28.4/R28.9	PROJECT SHEETS
				48
				54



**DESIGN CROSS SECTIONS**  
"ARI" LINE  
SCALE: Horiz 1" = 5'  
Vert 1" = 5'



Dist	County	Route	Post Miles	SHEET TOTAL
04	SCL	101	R28.4/R28.9	NO. SHEETS
				49
				54

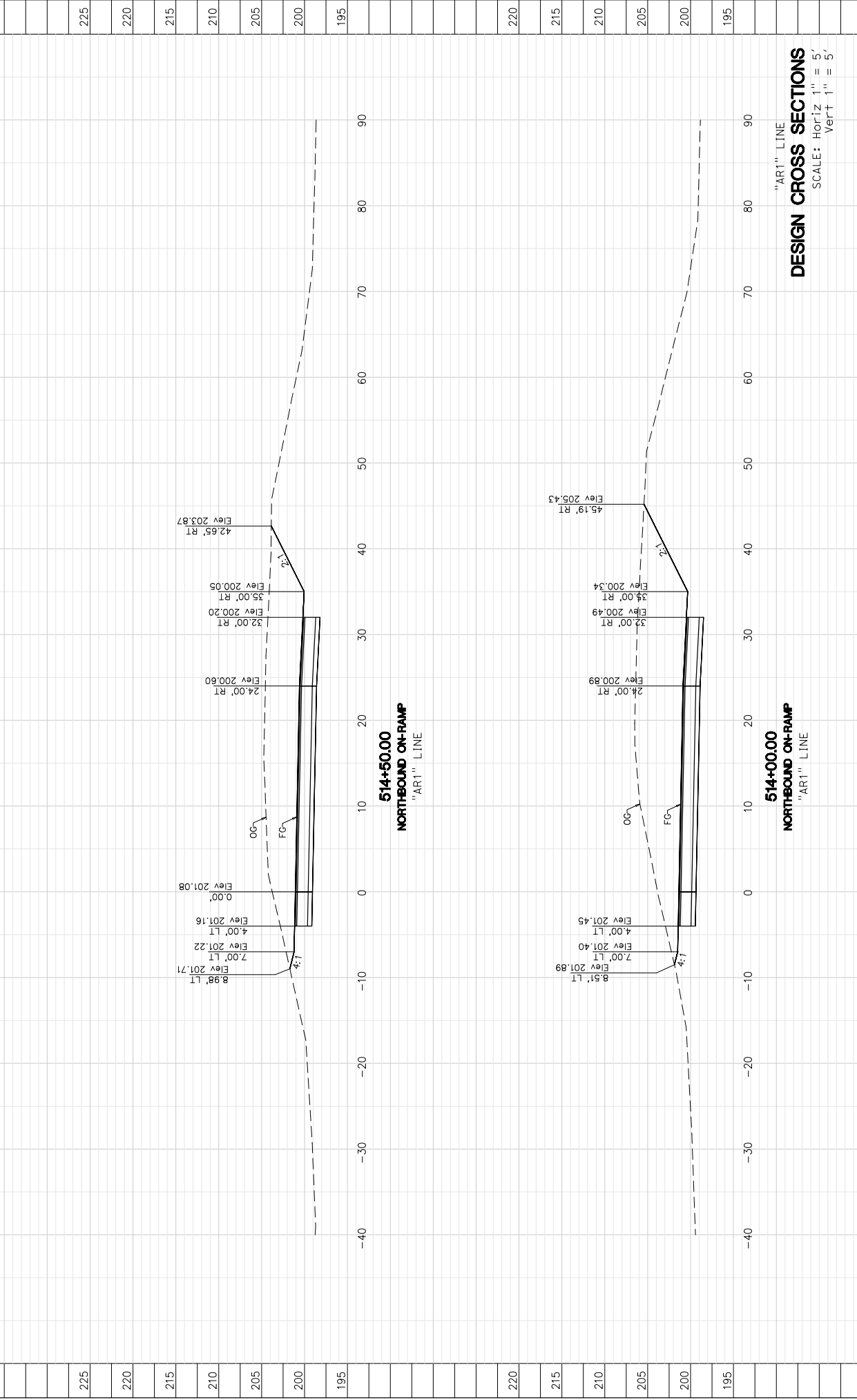


RELATIVE BORDER SCALE IS IN INCHES

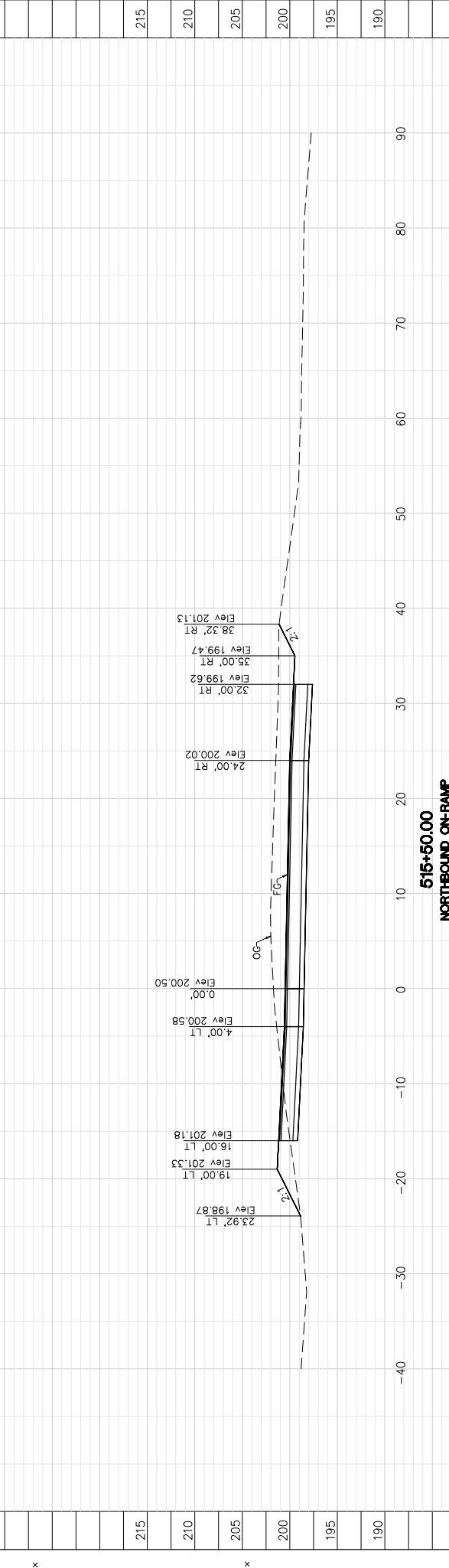
PROJECT NUMBER & PHASE

0416000224

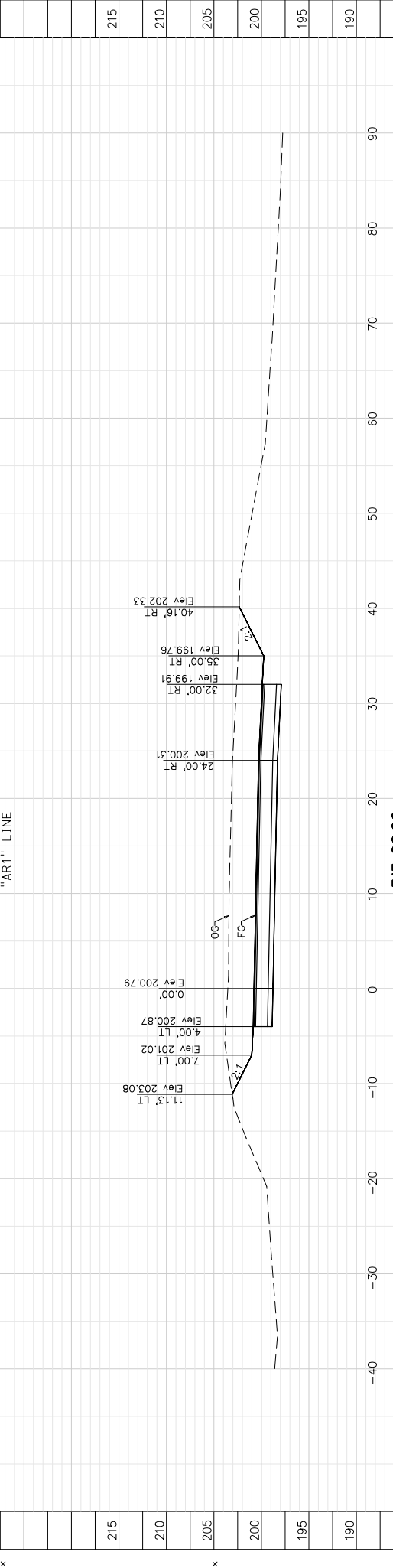
Dist	County	Route	Post Miles	SHEET TOTAL
04	SCL	101	R28.4/R28.9	PROJECT SHEETS
				50
				54



Dist	County	Route	Post Miles	SHEET	TOTAL
04	SCL	101	R28.4/R28.9	51	54



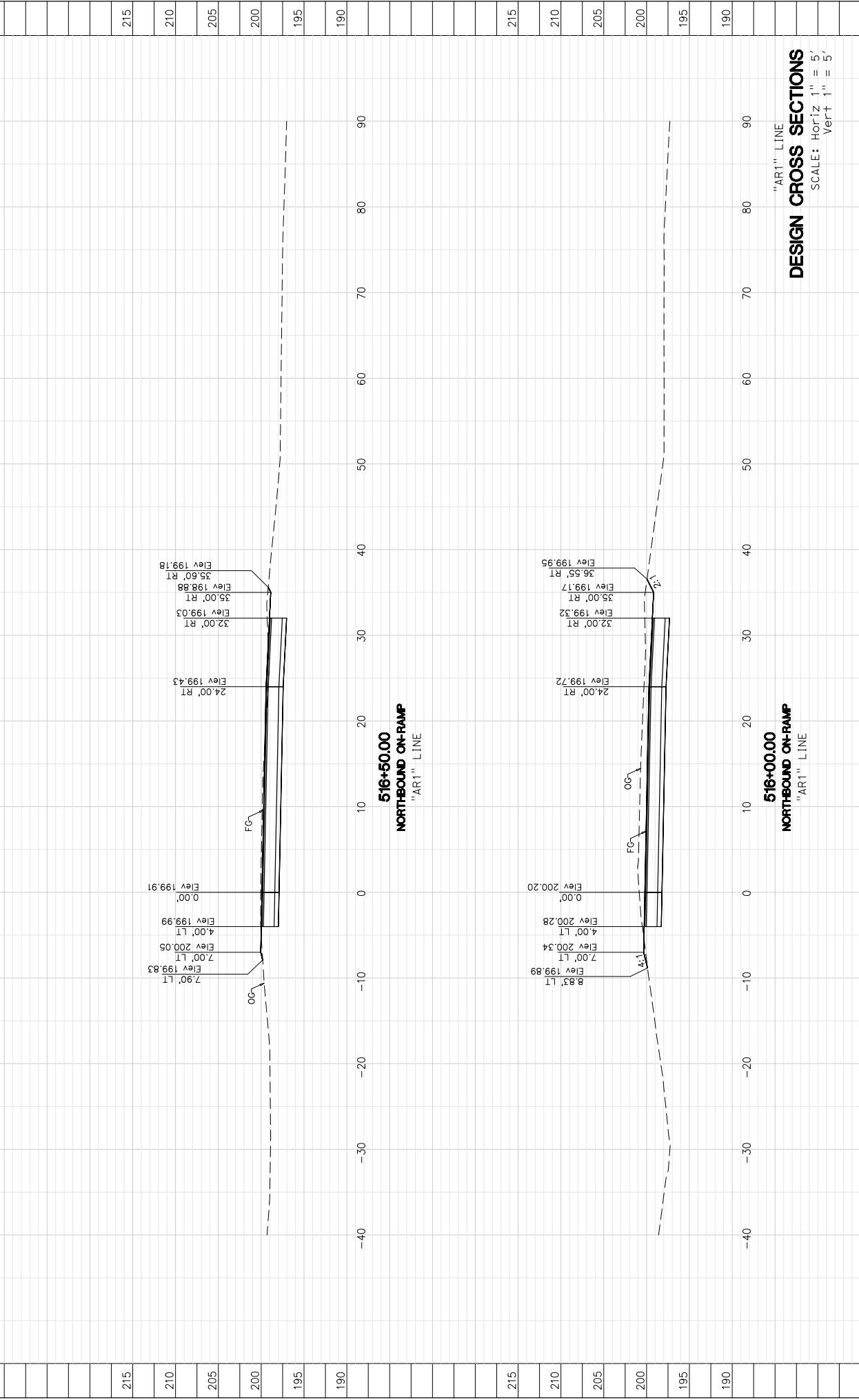
**515+50.00**  
NORTHBOUND ON-RAMP  
"ART" LINE



**515+00.00**  
NORTHBOUND ON-RAMP  
"ART" LINE

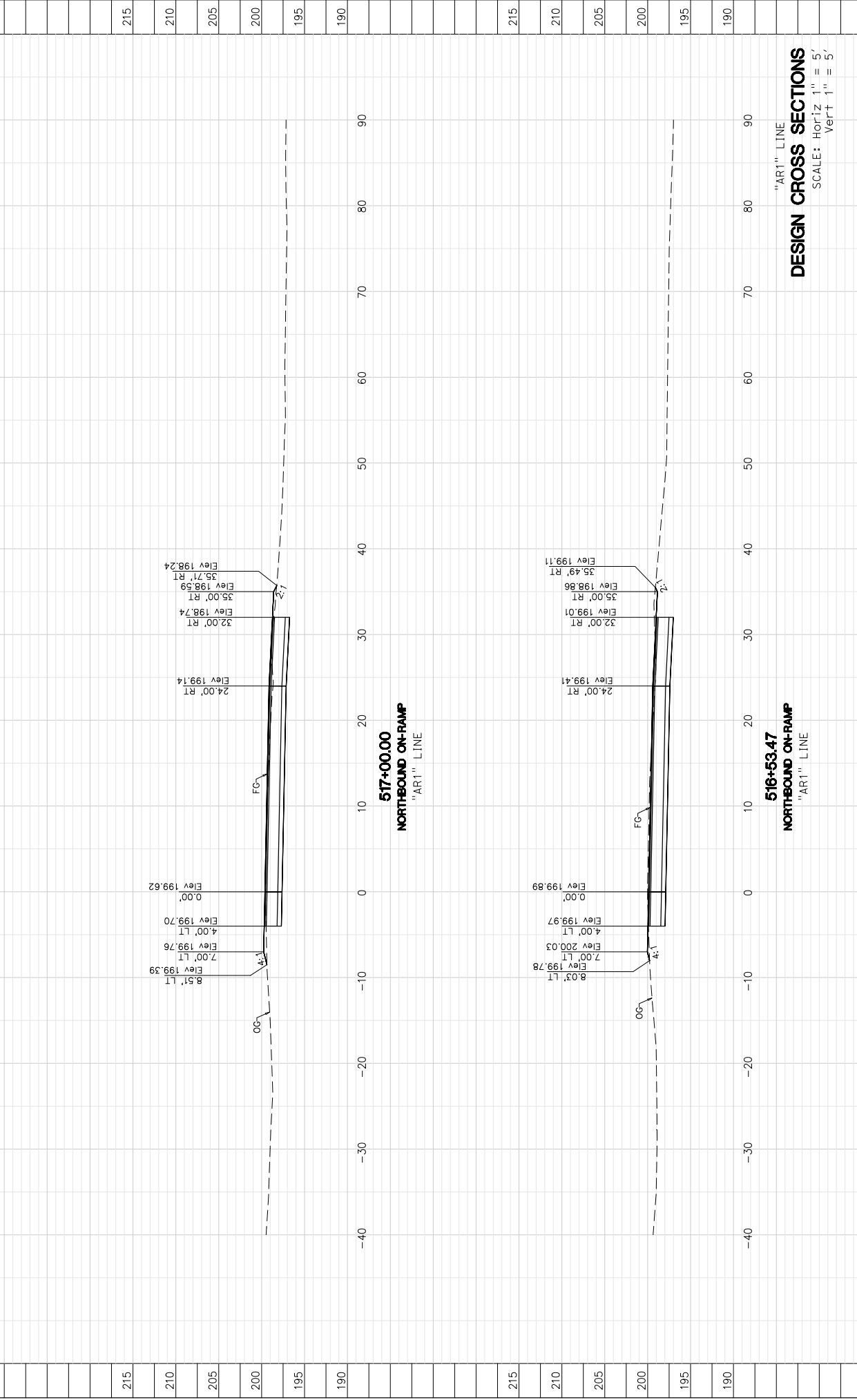
**DESIGN CROSS SECTIONS**  
"ART" LINE  
SCALE: Horiz 1" = 5'  
Vert 1" = 5'

Dist	County	Route	Post Miles	SHEET TOTAL
04	SCL	101	R28.4/R28.9	NO. SHEETS
				52
				54



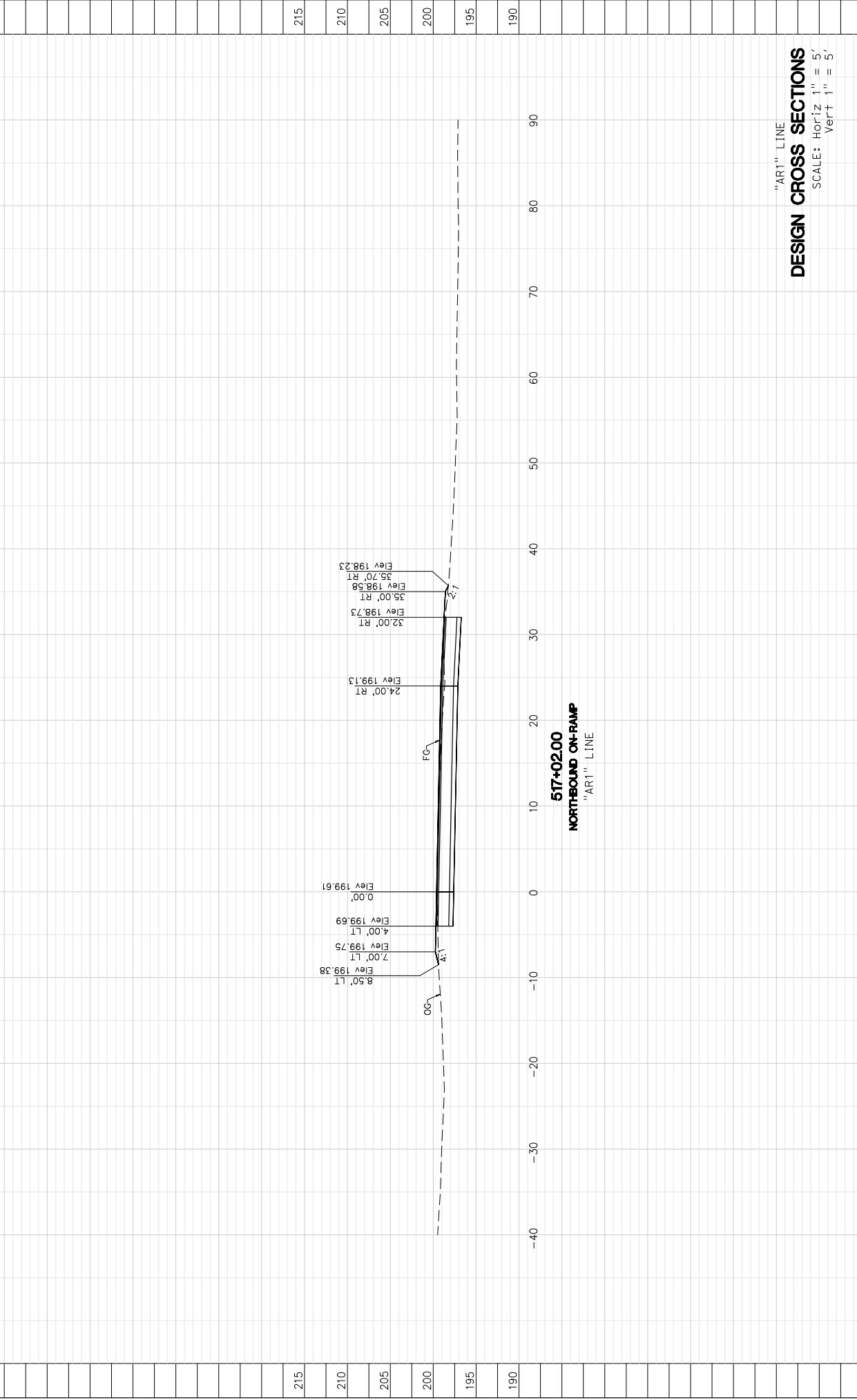
**DESIGN CROSS SECTIONS**  
 "ART" LINE  
 SCALE: Horiz 1" = 5'  
 Vert 1" = 5'

Dist	County	Route	Post Miles	SHEET TOTAL
04	SCL	101	R28.4/R28.9	SHEETS
				53
				54



"ART" LINE  
**DESIGN CROSS SECTIONS**  
SCALE: Horiz 1" = 5'  
Vert 1" = 5'

Dist	County	Route	Post Miles Total Project	Sheet No.	Total Sheets
04	SCL	101	R28.4/R28.9	54	54



**"ART1" LINE**  
**DESIGN CROSS SECTIONS**  
 SCALE: Horiz 1" = 5'  
 Vert 1" = 5'

RELATIVE BORDER SCALE  
 IS IN INCHES

PROJECT NUMBER & PHASE

0416000224